



Traffic Safety Corporation
2708 47th Ave.
Sacramento, CA 95822-3806
Toll Free: 888.446.9255
Tel: 916.394.9884
Fax: 916.394.2809
Email: sales@xwalk.com
Web: www.xwalk.com

TS-SR-50 Rotatable, Stainless Steel LED Road Stud

General Description

Our TS-SR-50 stainless steel road stud features a durable, low maintenance design with outstanding visibility during the day and at night.

The TS-SR-50 is typically used in crosswalk applications, but it also can be used to mark school zones and rail-road crossings, lane control for bridges and tunnels, wrong way warning, and toll booth or toll way lead-on applications.

All In-Roadway Warning Lighting System components are available from TSC. A typical installation would include a set of road studs, a control system, one or more activation devices such as a pedestrian push button station, and flashing LED crossing signs.

Features

- Robust construction, suitable for harsh conditions.
- Snowplow resistant.
- Ability to rotate after installation.
- Only .16" (4mm) above road surface.
- Highbright LEDs (1W) with internal lens - used for maximum brightness.
- Specially developed heat sink to increase LED lifetime.
- Outstanding visibility during the day and at night.
- Suitable for applications in crosswalks, school zones, bridges and tunnels.
- Low maintenance, 100% waterproof.
- Easy replacement: base (fixed in the pavement), main body (removable).
- Polycarbonate window protects LEDs.
- Optional: use different LED colors on each side.

Specifications

Modes of Operation:

- Always On (other modes of operation like flashing or sequential are available with external controller)

LED Configuration:

- Unidirectional or bidirectional



Rotate after installation

Electrical:

- Power Supply: 24V DC
- Current Consumption: 200 mA
- Power Cable: Wire 1 (+), Wire 2 (-), Wire 3 (PWM)
- Working Temperature: -13°F to +185°F (-25°C to +85°C)

Optical:

- LED Number:
2 or 4 LEDs (Unidirectional)
2 + 2 LEDs (Bidirectional)
- LED Type: High power (1W)
- LED Colors: White, Red, Yellow, Green, Blue
- Viewing Angle: 16°

Mechanical:

- Main Body: Stainless Steel League
- Base: Aluminium
- Mechanical Resistance: 160 tons
- Weight: 4.85 lb. (2.2 kg)
- Protection Index: IP68, IK10
- Dimensions: 5.67" (144mm) diameter x 3.74" (95mm) height

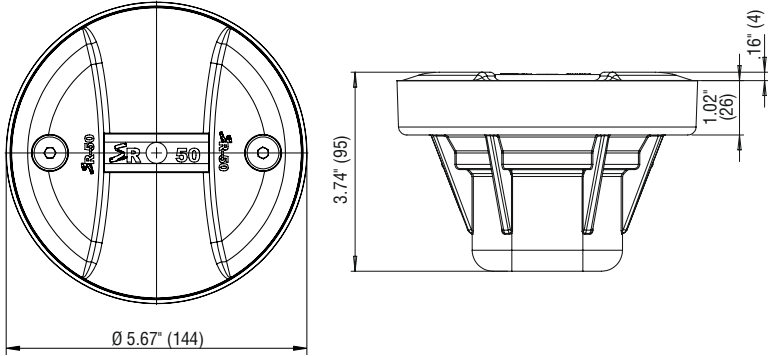
Visit our web site: www.xwalk.com



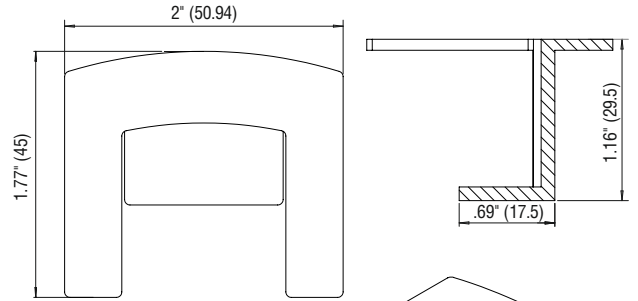
Traffic Safety Corporation
 2708 47th Ave.
 Sacramento, CA 95822-3806
 Toll Free: 888.446.9255
 Tel: 916.394.9884
 Fax: 916.394.2809
 Email: sales@xwalk.com
 Web: www.xwalk.com

TS-SR-50 Rotatable, Stainless Steel LED Road Stud

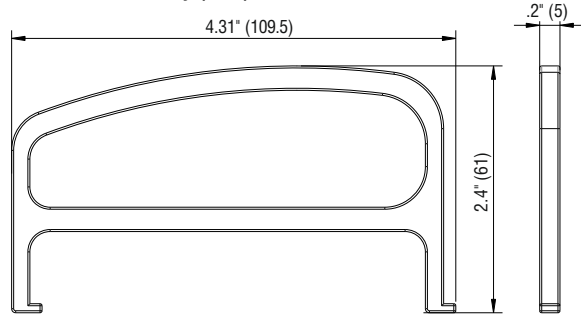
Dimensions (mm)



Installation Accessory (mm)



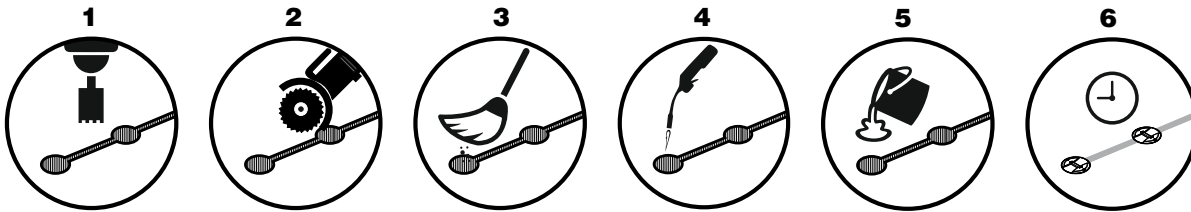
Rotation Accessory (mm)



Installation Procedure



Personal protective equipment must be worn during installation process.



- 1** After deciding the location where the stud will be installed, drill a hole having a diameter between 5.9"-6.1" (151-155mm) and 3.94" (100mm) deep.
- 2** Using a disk cutter, open a connection between the holes with .59" (15mm) width and 2.36" (60mm) depth.
- 3** Brush any debris or dust from the hole resulting from drilling.
- 4** Dry the hole with a blowtorch to remove any moisture that may compromise the adhesion and effectiveness of the grout.
- 5** Pour ±5.5 lb. (±2.5 kg) of ULTRAFLOW 4000/8 grout in the hole and insert the stud checking that the LEDs are facing the correction direction. Remove any excess grout.
- 6** The grout drying time may change depending on weather conditions. Consult the grout data sheet for more information.

Changing or not completing the described installation process can result in suspension of warranty.

Visit our web site: www.xwalk.com



Traffic Safety Corporation
 2708 47th Ave.
 Sacramento, CA 95822-3806
 Toll Free: 888.446.9255
 Tel: 916.394.9884
 Fax: 916.394.2809
 Email: sales@xwalk.com
 Web: www.xwalk.com

TS-SR-50 Rotatable, Stainless Steel LED Road Stud

Unidirectional 2 POWER LEDS

Models

Models	Description	Color
TS-SR-50-U2W-1G	Hardwired Road Stud / 3mt Cable Inc. / 2 LED / Snowplow Resist. / 1 Cable Gland	White
TS-SR-50-U2R-1G	"	Red
TS-SR-50-U2Y-1G	"	Yellow
TS-SR-50-U2B-1G	"	Blue
TS-SR-50-U2G-1G	"	Green



Unidirectional 4 POWER LEDS

Models

Models	Description	Color
TS-SR-50-U4WW-1G	Hardwired Road Stud / 3mt Cable Inc. / 4 LED / Snowplow Resist. / 1 Cable Gland	White / White
TS-SR-50-U4RR-1G	"	Red / Red
TS-SR-50-U4YY-1G	"	Yellow / Yellow
TS-SR-50-U4BB-1G	"	Blue / Blue
TS-SR-50-U4GG-1G	"	Green / Green



Bidirectional 2+2 POWER LEDS

Models

Models	Description	Color
TS-SR-50-B4WW-1G	Hardwired Road Stud / 3mt Cable Inc. / 4 LED / Snowplow Resist. / 1 Cable Gland	White / White
TS-SR-50-B4RR-1G	"	Red / Red
TS-SR-50-B4YY-1G	"	Yellow / Yellow
TS-SR-50-B4BB-1G	"	Blue / Blue
TS-SR-50-B4GG-1G	"	Green / Green

OBS.:

Cable standard (included): 0.75mm² wire section
Different cable layouts and length should be requested upon order!
 Standard mode: Always ON. For flashing or sequential mode, a microcontroller is required.

Cable Gland:

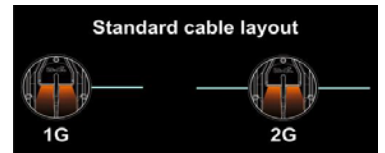
TS-SR-XX-XXX(X)-2G 2 Cable Glands

Color e.g.:

TS-SR-XX-XXWR-XX Side 1 - White / Side 2 - Red

Color combinations:

WR, WY, WB, WG, RY, RB, RG, YB, YG, BG



Visit our web site: www.xwalk.com