



Traffic Safety Corporation
 2708 47th Ave.
 Sacramento, CA 95822-3806
 Toll Free: 888.446.9255
 Tel: 916.394.9884
 Fax: 916.394.2809
 Email: sales@xwalk.com
 Web: www.xwalk.com

TS-300 Under Vehicle Inspection Light Packages

General Description

The TS-300 fixture is designed to aid security and safety inspectors by providing high-intensity illumination of vehicle undercarriages. Features include outstanding durability, superior visibility, and low maintenance.

Security applications for the TS-300 include: military bases, airports, maritime ports, border crossings, correctional facilities, embassies, royal palaces, power plants, courthouses and other government buildings. Safety applications for the TS-300 include: aircraft inspections at airport maintenance facilities and vehicle inspections at weigh stations.

Why Our TS-300 is Better

Outstanding Durability

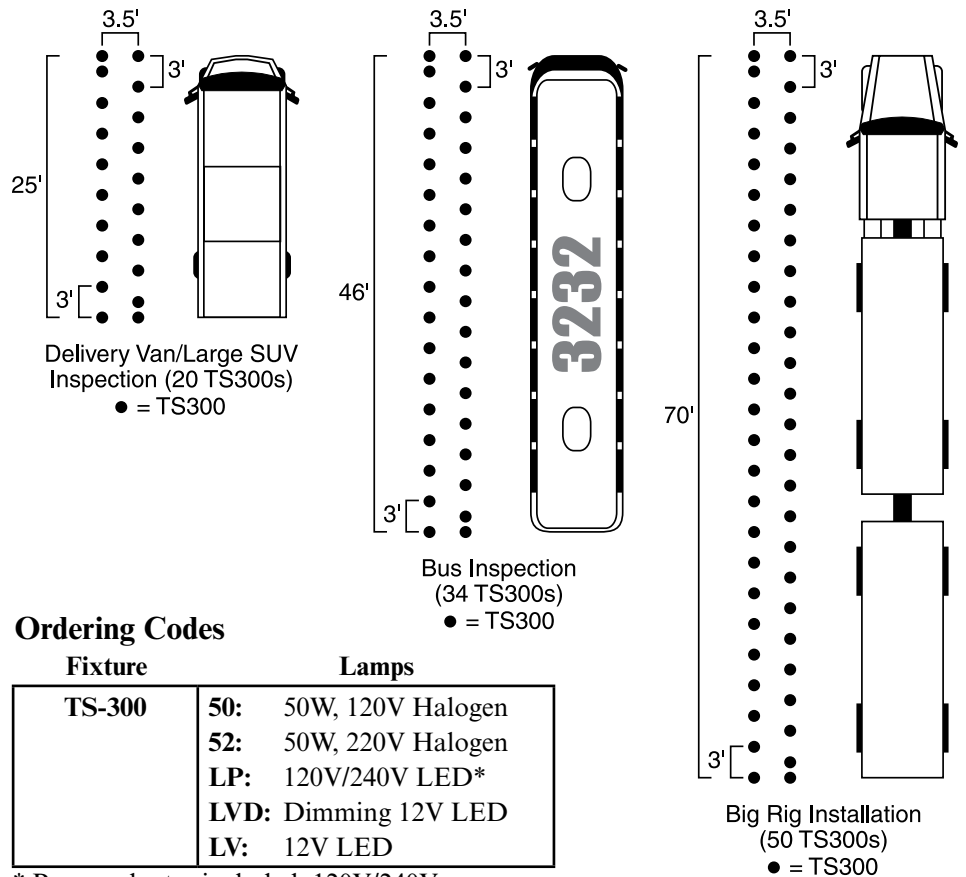
- Corrosion resistant anodized aluminum body stands up to weather.
- High static load rating (44,000 lb.) reduces likelihood of damage from heavy vehicles.
- TS-300 has been tested to 1,000 PSI (pounds per square inch) and conforms with both FAA and IEC requirements.

Superior Visibility

- Light source provides high-intensity illumination for improved visibility.

Low Maintenance

- LED lamp uses 94% less power and lasts 25X longer than halogen.
- Self-cleaning lens design reduces build-up of dirt and need for frequent cleaning.
- Pressurized light cavity keeps moisture out and reduces the frequency of replacement.
- Adhesive/sealant free prism design reduces time and effort during maintenance.



Ordering Codes

Fixture	Lamps
TS-300	50: 50W, 120V Halogen
	52: 50W, 220V Halogen
	LP: 120V/240V LED*
	LVD: Dimming 12V LED
	LV: 12V LED

* Power adapter included, 120V/240V.

Visit our web site: www.xwalk.com



Traffic Safety Corporation
 2708 47th Ave.
 Sacramento, CA 95822-3806
 Toll Free: 888.446.9255
 Tel: 916.394.9884
 Fax: 916.394.2809
 Email: sales@xwalk.com
 Web: www.xwalk.com

TS-300
Under Vehicle Inspection
Light Packages

Under Vehicle Inspection Light Packages

Basic packages may be customized and expanded to fit your needs.

Package 1: Halogen (120/240 VAC)

- 2,000 hour lamp life
- Uses off-the-shelf lamps

Qty	Item #	Description
20	TS-300-50	TS-300: white, 50W halogen, 120 VAC
20	BA-725-5-2MR	Base can: 8.625" x 5" deep, 1" grm @ 0°, 180° with 2" drain, 7.25" BC, .75" mud ring
1	MI-TS300MIRROR	Handheld inspection mirror

Package 2: LED (120/240 VAC)

- 50,000 hour LED lamp life
- Uses 94% less power and lasts 25X longer than halogen

Qty	Item #	Description
20	TS-300-LP	TS-300: white, LED, 120 VAC
20	BA-725-5-2MR	Base can: 8.625" x 5" deep, 1" grm @ 0°, 180° with 2" drain, 7.25" BC, .75" mud ring
1	MI-TS300MIRROR	Handheld inspection mirror

Package 3: Dimming LED Low Voltage (15 VDC)

- 50,000 hour LED lamp life
- Uses 94% less power and lasts 25X longer than halogen
- Safe low voltage DC operation
- Dim lights at night to reduce glare - select from three brightness levels

Qty	Item #	Description
20	TS-300-LVD	TS-300: white, LED, 12 VDC, dimming
20	BA-725-5-2MR	Base can: 8.625" x 5" deep, 1" grm @ 0°, 180° with 2" drain, 7.25" BC, .75" mud ring
1	TS2000-D	Dimming Controller
1	MI-TS300MIRROR	Handheld inspection mirror

Package 4: LED Low Voltage (15 VDC)

- 50,000 hour LED lamp life
- Uses 94% less power and lasts 25X longer than halogen
- Safe low voltage DC operation

Qty	Item #	Description
20	TS-300-LV	TS-300: white, LED, 12 VDC
20	BA-725-5-2MR	Base can: 8.625" x 5" deep, 1" grm @ 0°, 180° with 2" drain, 7.25" BC, .75" mud ring
1	TS2000	Low Voltage System Controller
1	MI-TS300MIRROR	Handheld inspection mirror



Visit our web site: www.xwalk.com



Traffic Safety Corporation
2708 47th Ave.
Sacramento, CA 95822-3806
Toll Free: 888.446.9255
Tel: 916.394.9884
Fax: 916.394.2809
Email: sales@xwalk.com
Web: www.xwalk.com

TS-300 Under Vehicle Inspection Light Packages

Under Vehicle Inspection System Specifications

TS-300 Fixture:

Low profile: 0.39" (10mm)
7.25" diameter bolt circle
Net weight 6.6 lbs. (3kg),
gross weight 7.7 lbs. (3.5kg)
Input voltage (LED): 10 to
30 VDC



Maximum output current to LEDs: 350 mA
LED power consumption: 3.15 watts
6500°K color temperature (LED)
3-Step LED fixture intensity (with TS2000-D):
Low = 188 Candelas (Cd)
Medium = 384 Cd
High = 770 Cd

Low maintenance LED light source: 50,000 hour lifetime
(25X longer than halogen)

Halogen fixture maximum intensity: 830 Cd

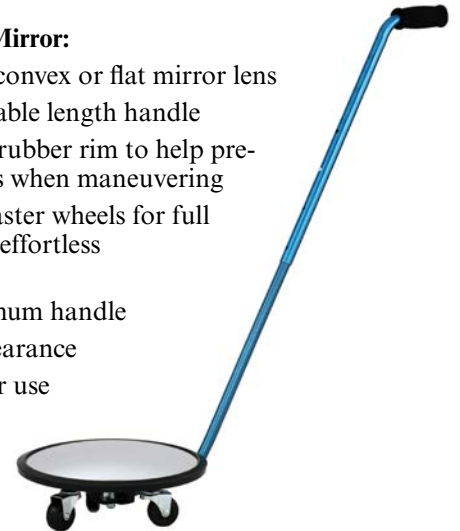


TS2000-D Dimming Controller:

Input voltage: 100-240 VAC @ 50 or 60Hz
Efficiency: 85%
Output voltage: 15 VDC
Output current (maximum): 10A for 150W version, 22A for
300W version
3-step brightness control
Enclosure: 10" height x 10" wide x 6" deep
Approved per UL 508 Type 4 and complies with
NEMA 4 requirements
Finish: Powder coated 16 gauge steel
Weight: 15 lbs.

Handheld Inspection Mirror:

Available with round convex or flat mirror lens
Equipped with adjustable length handle
Heavy-duty extruded rubber rim to help pre-
vent damaging objects when maneuvering
Tripod ball-bearing caster wheels for full
range of motion with effortless
maneuvering
51" lightweight aluminum handle
Low 3-1/2" ground clearance
For indoor or outdoor use
Weight: 12 lbs.



TS2000 Low Voltage System Controller:

Input voltage: 85-265 VAC @ 47-63Hz
Output voltage: 15 VDC
Simple operation: Internal on/off power switch
Wide operating temperature range: -10°C to + 55°C
Input transient protection
Output overload and over-voltage protection
Over-temperature shut-down protection
Enclosure: 11.5" height x 8" wide x 4.75" deep
Approved per UL 508 Type 4 and complies with
NEMA 4 requirements
Finish: Powder coated 16 gauge steel

Visit our web site: www.xwalk.com



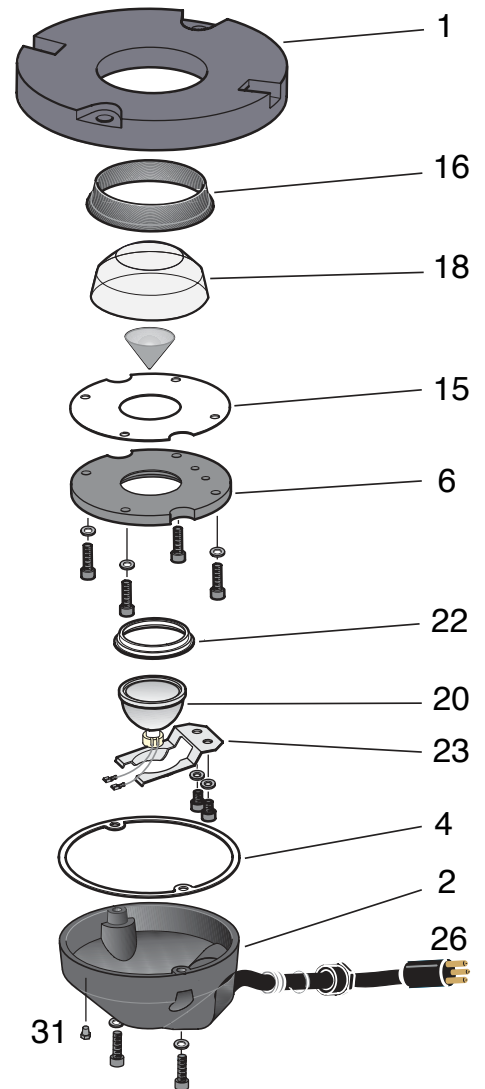
Traffic Safety Corporation
 2708 47th Ave.
 Sacramento, CA 95822-3806
 Toll Free: 888.446.9255
 Tel: 916.394.9884
 Fax: 916.394.2809
 Email: sales@xwalk.com
 Web: www.xwalk.com

TS-300 Under Vehicle Inspection Light Packages

How to Specify the TS-300 Fixture

The fixture shall be model TS-300-50/52 (halogen lamp) or TS-300-LP/LV/LVD (LED) as marketed by Traffic Safety Corporation or an approved equivalent. In order to be considered equal, the alternate fixture shall have the following characteristics:

- **Construction** - The diameter of the fixture shall not be more than 8" and all mounting hardware shall be stainless steel. The fixture shall operate from a 120/240 VAC or 15 VDC power source. The fixture shall be furnished with a waterproof, two or three pin, male connector used to connect the fixture to the power source. The finish of the upper casting shall be anodized and gray in color. The bottom casting shall be painted black. The top and bottom castings shall be sealed by means of a flat gasket and shall have indexing pins to insure proper seating. The fixture shall project no more than 0.39" above the roadway when installed in the factory supplied mounting base.
- **Durability** - Fixture shall withstand a static load of 44,000 lb. without sustaining permanent deformation or cracking of materials. Leads, gaskets, etc. shall be rated to withstand 300 degrees F.
- **Lamp/Light Cavity** - The lens shall be molded of high performance optical grade glass and shall provide a sealed fit within the fixture with a high density silicone rubber gasket. Each fixture shall be installed with a Schrader valve to prevent moisture intrusion, verify the entire assembly is sealed at the time of installation and to allow for re-testing.
- **Photometric Performance** - The LED version of the TS-300 uses low-energy Light-Emitting Diodes which consume only 3.15 watts with an average life of 50,000 hours. The output light intensity from each LED fixture is 770 candelas maximum with a dimmable feature if the TS2000-D Traffic Safety Controller option is utilized. The halogen version uses an off-the-shelf MR16, 120V halogen lamp rated at 50 watts with an average life of 2,000 hours. The output light intensity from each halogen fixture is 830 candelas.
- **Mounting Base** - Fixture shall be installed in mounting base (TSC's #BA-725-5-2MR) of high strength steel, hot dip galvanized after fabrication per ASTM-153 specifications, with a 7.25" diameter bolt circle, a 0.75" mud ring, and standard base depth of 5". The mud ring shall be detachable from the base. Mounting base without mud ring shall be made available upon request. The base shall be supplied with a plywood cover to protect the mounting flange during installation.
- **Warranty** - Individually ordered parts (with the exception of halogen lamps which shall be warranted for 3 months from date of shipment) shall be warranted by the manufacturer against defects in materials and workmanship for one year from the date of shipment in non-snowplow applications. The Under Vehicle Inspection light packages (TS-300, base, etc.) shall have a five-year warranty against defects in materials and workmanship from the date of shipment in non-snowplow applications.



TS-300 Parts Breakout

Common Replacement Parts

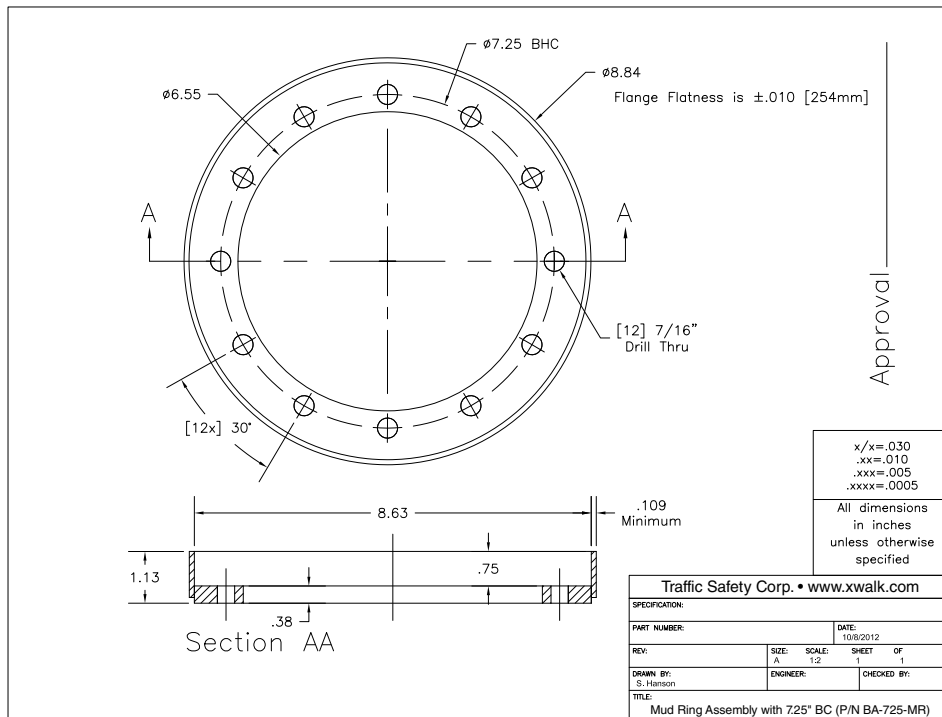
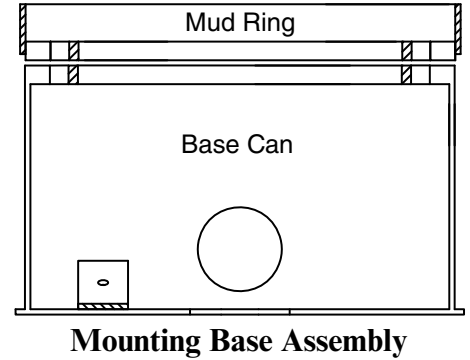
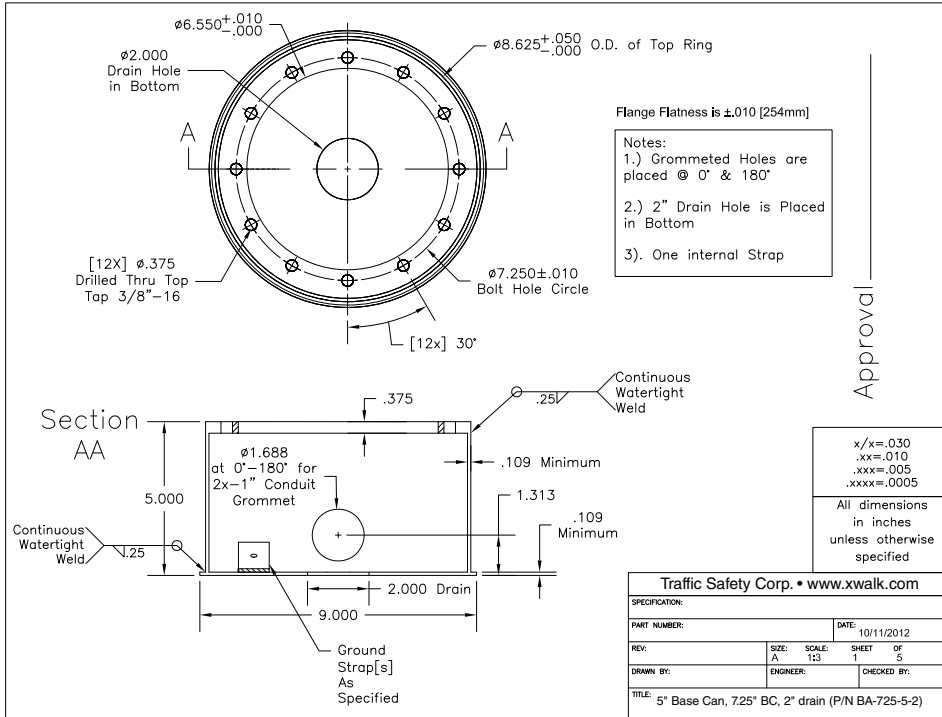
1..... Body Casting	ALT .. 50W, 230V, MR16.....LA-64826
2..... Bottom Cover Casting	80-040206
3..... Elky Gland Set	80-021114/5/6
4..... Bottom Cover Gasket	80-033080
6..... Prism Clamp	80-021307
8..... Bottom Cover Spinning Clamp.....	80-021311
15..... Prism Clamp Gasket	80-021309
16..... Prism Gasket.....	80-033090
18..... White (Clear) Prism Dome.....	80-016077
20..... 50W, 120V, MR16.....	LA-008084
22..... Lamp Gasket	80-033077
23..... Lamp Retaining Spring.....	80-032039
24..... 2-Pin Male Connector.....	CO-10518-114-D02
25..... 2-Conductor Female Connector ..	CO-1051903021
26..... 3-Pin Male Connector.....	CO-013031
27..... 3-Conductor Female Connector ..	CO-012022
30..... 120V/240V lamp holder	80-015057
31..... Pressure Test Plug	80-021256
ALT .. Schrader Tank Valve.....	80-021327

Visit our web site: www.xwalk.com



Traffic Safety Corporation
 2708 47th Ave.
 Sacramento, CA 95822-3806
 Toll Free: 888.446.9255
 Tel: 916.394.9884
 Fax: 916.394.2809
 Email: sales@xwalk.com
 Web: www.xwalk.com

TS-300
Under Vehicle Inspection
Light Packages



Visit our web site: www.xwalk.com