

FM1D14 Series 24-Hour/7-Day Time Switch Operation and User Instructions

! WARNING Risk of Fire or Electric Shock

- Disconnect power prior to installation.
- Connect FM1D14 wiring in accordance with all applicable national and local electrical code requirements.

Specifications

Input

- 12 VDC (FM1D14-12)
- 24 VAC and VDC, 50/60 Hz (FM1D14-24)
- 120-277 VAC, 50/60 Hz (FM1D14-AV)

Output

NO Contact

- General Purpose: 15 A, 277 VAC
- Tungsten: 1000 W, 120 VAC
- Ballast : 8 A, 277 VAC
- Pilot Duty: B300
- Electronic Ballast: 4.9 A, 120 VAC
- Motor: 10 FLA, 60 LRA @ 250 VAC; ½ HP, 120 VAC; 1 HP, 250 VAC

NC Contact

- General Purpose: 15 A, 277 VAC
- Resistive: 12 A, 24 VDC
- Ballast : 8 A, 120 VAC
- Motor: 10 FLA, 60 LRA @ 250 VAC; ½ HP, 120/240 VAC

- Operating Temperature: -40° F to 135° F (-40° C to 55° C)
- Carry-over: 2500 hours fully charged

Description

This manual provides installation and programming instructions for the FM1D14 series timer.

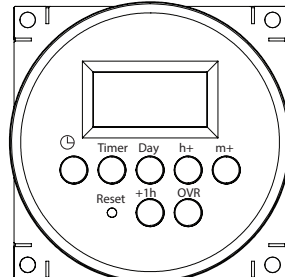


Figure 1. FM1D14 Timer

Mounting the FM1D14 Series Timer

The standard FM1D14 timer can be surface mounted inside a panel or flush mounted. Mount the timer as required. Refer to the dimension drawing in Figure 2.

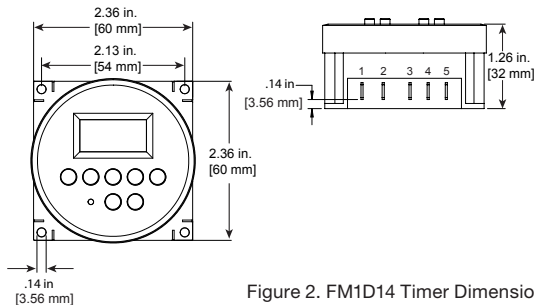


Figure 2. FM1D14 Timer Dimensions

Connecting the FM1D14 Series Timer Wiring

Follow this procedure to connect the FM1D14 timer wiring.

1. Make sure supply power is disconnected.
2. Check input and output ratings marked on timer to verify the product is suitable for your supply voltage, load, and application.
3. Connect the FM1D14 wiring. See Figure 3 for reference.

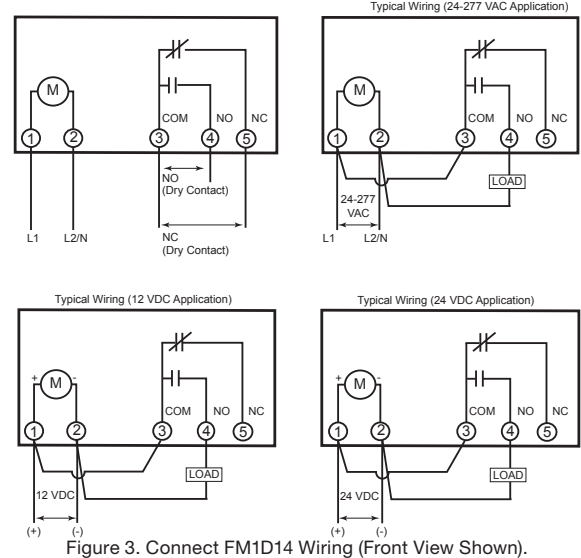


Figure 3. Connect FM1D14 Wiring (Front View Shown).

Setting the Time of Day

Follow this procedure to set the time of day and day of the week.

1. Press and release the **Reset** button with a blunt object to reset the unit. The timer screen flashes.
2. Press and hold **⌚** and **h+** simultaneously to access the **12:00 AM** screen.
3. Take one of these actions.

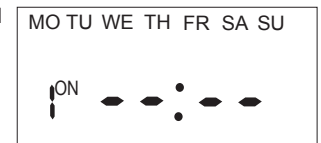
If...	Then...
Your time zone currently is in Daylight Saving Time,	Press the +1h button. Go to step 4.
Your time zone is not in Daylight Saving Time,	Go to step 4 to set the current time.

4. Press and hold **⌚** and press **h+** repeatedly until you advance to the current hour.
5. Press and hold **⌚** and press **m+** repeatedly until you advance to the current minute.
6. Press and hold **⌚** and press **Day** repeatedly until you advance to the current day.

Programming Events

To set ON/OFF event pair, set ON event and then repeat procedure to set OFF event. The timer enables up to 7 ON/OFF event pairs.

1. Press the **Timer** button. Dashed lines appear to indicate no event is set for event 1.



2. Press **Day** to select the days of the week for the ON event.

NOTE: To set the ON event:

ON a Specific Day	Select: The desired day
Every Day of Week	Select: MO, TU, WE, TH, FR, SA, SU
Every Weekday:	Select: MO, TU, WE, TH, FR
Every Weekend:	Select: SA, SU
Monday through Saturday	Select: MO through SAT
Monday, Wednesday, Friday	Select: MO, WE, FR

3. Press **h+** to scroll to the desired hour for ON event.
4. Press **m+** to scroll to the desired minute for the ON event.
5. Press **Timer** to advance to the OFF event screen.
6. Press **Day** to select the days of the week for the OFF event.
7. Press **h+** to scroll to the desired hour for the OFF event.
8. Press **m+** to scroll to the desired minute for the OFF event.

Take one of these actions.

If...	Then...
You need to program another ON/OFF event pair,	Press Timer to advance to the next event ON screen and repeat steps 2 through 8.
All the required ON/OFF events are programmed,	Press ⏻ to return main screen. The procedure is complete.

NOTE: If events include or intersect with each other, each ON/OFF event can be independently executed at the setpoint.

NOTE: If an ON event and OFF event occur at the same time, the timer will run the OFF event.

Daily Operation

Below is an overview of the different operation modes for FM1D14.

Mode	Timer Display	Description
Auto ON		Appears when an ON setpoint has been triggered
Auto OFF		Appears when an OFF setpoint has been triggered
OVR ON		Indicates relay has been overridden to ON status
OVR OFF		Indicates relay has been overridden to OFF status

NOTE: To execute an ON/OFF status override, press the **OVR** button on the timer to override an ON or OFF status. The override remains active until the next programmed event.

Modifying an Event

Follow this procedure to review or modify an event.

1. Press **Timer** to scroll to ON or OFF event you want to modify.
2. Take one of these actions.

If you want to modify the...	Then...
Days of the week for ON/OFF event,	Press Day repeatedly to scroll to desired days of the week. Go to step 3.
Hour for ON or OFF event,	Press h+ to scroll to desired hour. Go to step 3.
Minute for ON or OFF event,	Press m+ to scroll to desired minute. Go to step 3.

3. Repeat steps 1 and 2 as needed to modify additional events.
4. When all the desired events are modified, press **⏻** to confirm event settings and return to the time of day screen.

Deleting an Event

Follow this procedure to delete an event.

1. Press **Timer** to scroll to ON or OFF event you want to delete.
2. Press **OVR** to delete the event. Dashed lines appear in place of the time to indicate the event is deleted.
NOTE: If necessary, repeat this procedure to delete both ON and OFF settings for the event.
3. When the modifications are complete, press **⏻** to return to time of day screen.

Retrieving an Event

The timer enables deleted events to be retrieved. All deleted events can be retrieved until a new event is programmed in place of event.

1. Press **Timer** to scroll to the ON/OFF event you previously deleted. Dashed lines appear in place of the event time.
2. Press **OVR** to retrieve deleted event. The event ON or OFF time replaces the dashed line indicating that the event is retrieved.
NOTE: If necessary, repeat this procedure to retrieve both ON and OFF settings for the event.
3. When the modifications are complete, press **⏻** to return to time of day screen.

Adjusting Daylight Saving Time

Press **+1h** button to add the Daylight Saving Time hour to the current time or remove the hour to return to standard time.

NOTE: Do not perform this procedure if your area does not use Daylight Saving Time.

Resetting the Timer

In case of a timer malfunction or to delete all previous settings, the unit can be reset.

To reset the timer, use a blunt pointed object to press **Reset** as shown in Figure 4. The timer resets and **deletes all the settings in the unit.**

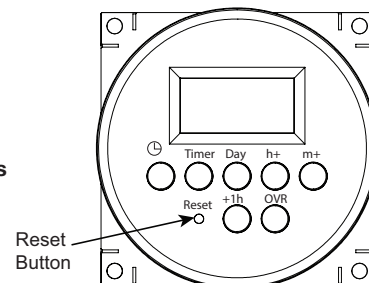


Figure 4. Reset Button

Overview of FM1D14 Power Loss Functions

In the event of a power loss, the FM1D14 does the following:

- Relay will be in the OFF state.
- Upon power restore, relay will go to the current programmed state.

LIMITED ONE-YEAR WARRANTY

If within the warranty period specified, this product fails due to a defect in material or workmanship, Intermatic Incorporated will repair or replace it, at its sole option, free of charge. This warranty is extended to the original household purchaser only and is not transferable. This warranty does not apply to: (a) damage to units caused by accident, dropping or abuse in handling, acts of God or any negligent use; (b) units which have been subject to unauthorized repair, opened, taken apart or otherwise modified; (c) units not used in accordance with instructions; (d) damages exceeding the cost of the product; (e) sealed lamps and/or lamp bulbs, LED's and batteries; (f) the finish on any portion of the product, such as surface and/or weathering, as this is considered normal wear and tear; (g) transit damage, initial installation costs, removal costs, or reinstallation costs.

INTERMATIC INCORPORATED WILL NOT BE LIABLE FOR INCIDENTAL OR CONSEQUENTIAL DAMAGES. SOME STATES DO NOT ALLOW THE EXCLUSION OR LIMITATION OF INCIDENTAL OR CONSEQUENTIAL DAMAGES, SO THE ABOVE LIMITATION OR EXCLUSION MAY NOT APPLY TO YOU. THIS WARRANTY IS IN LIEU OF ALL OTHER EXPRESS OR IMPLIED WARRANTIES. ALL IMPLIED WARRANTIES, INCLUDING THE WARRANTY OF MERCHANTABILITY AND THE WARRANTY OF FITNESS FOR A PARTICULAR PURPOSE, ARE HEREBY MODIFIED TO EXIST ONLY AS CONTAINED IN THIS LIMITED WARRANTY, AND SHALL BE OF THE SAME DURATION AS THE WARRANTY PERIOD STATED ABOVE. SOME STATES DO NOT ALLOW LIMITATIONS ON THE DURATION OF AN IMPLIED WARRANTY, SO THE ABOVE LIMITATION MAY NOT APPLY TO YOU.

This warranty service is available by either (a) returning the product to the dealer from whom the unit was purchased or (b) completing a warranty claim online at www.intermatic.com. This warranty is made by Intermatic Incorporated, Customer Service 7777 Winn Rd., Spring Grove, Illinois 60081-9698. For warranty service go to: <http://www.intermatic.com> or call 815-675-7000.