



TS-750L Omni-directional Aluminum LED Road Stud

Compliances

- IP68 Ingress Protection
- IK10 Impact Protection
- CE and RoHS Certified

Applications

Our TS-750L aluminum road stud features a durable, low maintenance design with outstanding visibility during the day and at night. The TS-750L is typically used to mark roundabouts, curb extensions, and school zones.

Features

- Robust aluminum construction
- Recessed, semi-flush mounted, does not obstruct pedestrian or vehicular movement
- Rises only 0.6" (15 mm) above surface
- High static load rating (44,000 lb.) reduces likelihood of damage from vehicles
- 360° high intensity, omni-directional lighting coverage
- With our Dimming Controller option, the lights can be dimmed at night to reduce glare - 3 brightness levels
- Cost-saving, energy-efficient LEDs
- 50,000 hour LED lifetime
- AC or DC power supply options

Specifications

- Voltage Range: 10-32 VDC or 85-305 VAC
- Power Consumption: DC Input = 14W; AC Input = 27W
- Requires water resistant UL Cable, OD = 0.24" - 0.47" (6-12mm). Recommended AWG (varies by application): 16-3/C SOOW 600V 90C.
- Temperature Range: -13°F/+185°F (-25°C/+85°C)
- LED Quantity: 6 LEDs
- Top Material: Gray painted aluminum AlSi12
- Bottom Material: Gray painted aluminum AlSi12
- Light Output: Polycarbonate window
- Rising Above Surface: 0.6" (15 mm)



- Static Load: Holds 1,000 PSI
- High Static Load Rating: 44,000 lb. min
- Weight: 8.6 lb. (3.9 kg)
- Diameter: 8.6" (219 mm)
- Bolt Circle: 7.25" (184 mm)
- Protection Index: IP68, IK10

Ordering Codes

Fixture	LED Color	Power	Cable Layout	Options
TS-750L	B: Blue G: Green R: Red W: White Y: Yellow	AC: 100-240VAC AC3: 277VAC DC: 10-30VDC DCD: 10-30VDC Dimming	G1C: 1 Gland with Cable G2C: 2 Glands with Cable ¹ G2NC: 2 Glands with No Cable ²	NB: No Base ³

¹ G2C Layout will not support dimming option. Specify cable size so we can quote correct secondary connector.

² G2NC Layout: Customer must supply water resistant cable. Cable connections are made inside the fixture.

³ The fixture will not be mounted to a base can.

+1.888.446.9255 USA
+1.916.394.9884 Worldwide
+1.916.394.2809 Fax

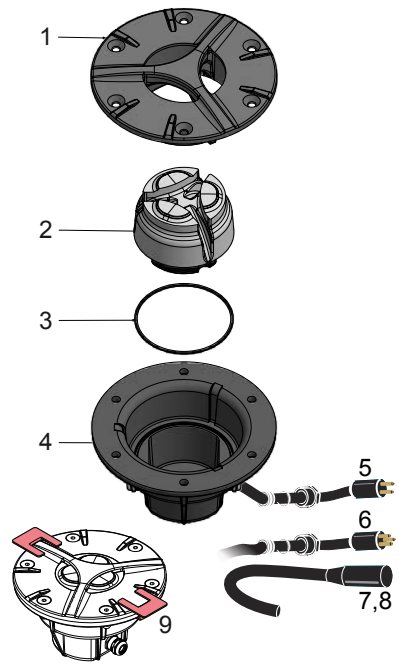
xwalk.com
sales@xwalk.com

Traffic Safety Corp., 2708 47th Ave.
Sacramento, CA, 95822, USA

Common Replacement Parts

Ref.	Description	Part #
1	Top Casting Aluminum	TS-750L-TOP
2	AC Light Module	TS-700/2L-XAC*
	DC Light Module	TS-700/2L-XDC*
	DCD Light Module	TS-700/2L-XDCD*
3	O-Ring	TS-700/2L-ORING
4	Bottom Casting	TS-700/2L-BOTTOM
5	2-Pin Male Connector	TRC-10518-114D02
6	3-Pin Male Connector (DCD Dimming only)	80-013031
7	2-Conductor Female Connector	TRC-10519-07-021
8	3-Conductor Female Connector (DCD Dimming only)	80-012022
9	Installation Accessories for Non-base Installation (2 per fixture)	TS-700/2-IA

* For light modules, X = Color (B = Blue, G = Green, R = Red, W = White, Y = Yellow)



Fixture Dimensions

