

# TS-700L Omni-directional Stainless Steel LED Road Stud

## Compliances

- IP68 Ingress Protection
- IK10 Impact Protection
- CE and RoHS Certified

## Applications

Our TS-700L stainless steel road stud features a durable, low maintenance design with outstanding visibility during the day and at night. The TS-700L is typically used to mark roundabouts, curb extensions, and school zones.

## Features

- Robust stainless steel construction resists salt, chemicals, and weather exposure
- Recessed, semi-flush mounted, does not obstruct pedestrian or vehicular movement
- Rises only 0.6" (15 mm) above surface
- High static load rating (44,000 lb.) reduces likelihood of damage from vehicles
- 360° high intensity, omni-directional lighting coverage
- With our Dimming Controller option, the lights can be dimmed at night to reduce glare - 3 brightness levels
- Cost-saving, energy-efficient LEDs
- 50,000 hour LED lifetime
- AC or DC power supply options

## Specifications

- Voltage Range: 10-32 VDC or 85-305 VAC
- Power Consumption: DC Input = 14W; AC Input = 27W
- Requires water resistant UL Cable, OD = 0.24" - 0.47" (6-12mm). Recommended AWG (varies by application): 16-3/C 500W 600V 90C.
- Temperature Range: -13°F/+185°F (-25°C/+85°C)
- LED Quantity: 6 LEDs
- Top Material: Hard duplex stainless steel alloy with high corrosion resistance and hardness
- Bottom Material: Gray painted aluminum AlSi12
- Light Output: Polycarbonate window

## Ordering Codes

Fixture	LED Color	Power	Cable Layout	Options
<b>TS-700L</b>	<b>B:</b> Blue <b>G:</b> Green <b>R:</b> Red <b>W:</b> White <b>Y:</b> Yellow	<b>AC:</b> 100-240VAC <b>AC3:</b> 277VAC <b>DC:</b> 10-30VDC <b>DCD:</b> 10-30VDC Dimming	<b>G1C:</b> 1 Gland with Cable <b>G2C:</b> 2 Glands with Cable <sup>1</sup> <b>G2NC:</b> 2 Glands with No Cable <sup>2</sup>	<b>NB:</b> No Base <sup>3</sup>

<sup>1</sup> G2C Layout will not support dimming option. Specify cable size so we can quote correct secondary connector.

<sup>2</sup> G2NC Layout: Customer must supply water resistant cable. Cable connections are made inside the fixture.

<sup>3</sup> The fixture will not be mounted to a base can.



- Rising Above Surface: 0.6" (15 mm)
- Static Load: Holds 1,000 PSI
- High Static Load Rating: 44,000 lb. min
- Weight: 11.2 lb. (5.1 kg)
- Diameter: 8.6" (219 mm)
- Bolt Circle: 7.25" (184 mm)
- Protection Index: IP68, IK10

+1.888.446.9255 USA  
+1.916.394.9884 Worldwide

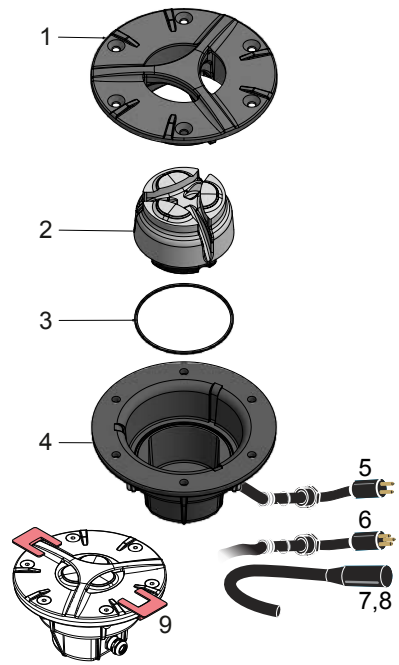
xwalk.com  
sales@xwalk.com

Traffic Safety Corp., 2708 47th Ave.  
Sacramento, CA, 95822, USA

**Common Replacement Parts**

Ref.	Description	Part #
1	Top Casting Stainless Steel	TS-700L-TOP
2	AC Light Module	TS-700/2L-XAC*
	DC Light Module	TS-700/2L-XDC*
	DCD Light Module	TS-700/2L-XDCD*
3	O-Ring	TS-700/2L-ORING
4	Bottom Casting	TS-700/2L-BOTTOM
5	2-Pin Male Connector	TRC-10518-114D02
6	3-Pin Male Connector (DCD Dimming only)	80-013031
7	2-Conductor Female Connector	TRC-10519-07-021
8	3-Conductor Female Connector (DCD Dimming only)	80-012022
9	Installation Accessories for Non-base Installation (2 per fixture)	TS-700/2-IA

\* For light modules, X = Color (B = Blue, G = Green, R = Red, W = White, Y = Yellow)



**Fixture Dimensions**

