



Traffic Safety Corporation
2708 47th Ave.
Sacramento, CA 95822-3806
Toll Free: 888.446.9255
Tel: 916.394.9884
Email: sales@xwalk.com
Web: www.xwalk.com

TS-SR-15VL Uplighted LED Road Stud

Features

- Road stud specially developed to illuminate historic areas and pedestrian zones.
- Ideal for zones where it's necessary to project vertical lighting.
- Only .5" (12.7mm) above road surface.
- High brightness during day and night.
- Low maintenance, 100% waterproof.
- Connect multiple road studs in series circuit.
- Wired system that can be powered by electric or solar energy.
- Low power consumption.
- Internal prismatic system.
- No oxidation problems.
- Up to .62 mile (1 km) visibility distance due to high intensity LEDs.
- Many LED color options available for a wide variety of applications.

Specifications

Modes of Operation:

- Always On (other modes of operation like flashing or sequential are available with external controller)

LED Configuration:

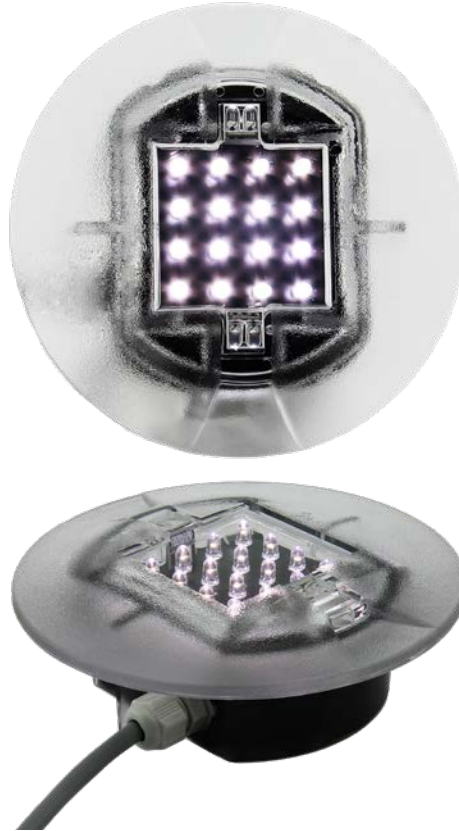
- Uplight
- Uplight + 1 side illuminated
- Uplight + 2 sides illuminated

Electrical:

- Power Supply: 12V DC or 24V DC
- Current Consumption: Uplight: 160 mA, Unidirectional: 20mA, Bidirectional: 40mA
- Power Cable: Brown Wire (+), Blue Wire (-)
- Working Temperature: -13°F to +185°F (-25°C to +85°C)

Optical:

- LED Quantity: 16 LEDs (up to 4 optional LEDs may be added to the sides)
- LED Type: 5mm



- LED Colors: White, Red, Yellow, Green, Blue
- Viewing Angle: 15°

Mechanical:

- Material: Polycarbonate
- Mechanical Resistance: 60 tons
- Weight: 1.1 lb. (.5 kg)
- Protection Index: IP68, IK10
- Dimensions: 5.69" (144.6mm) diameter x 1.97" (50mm) height

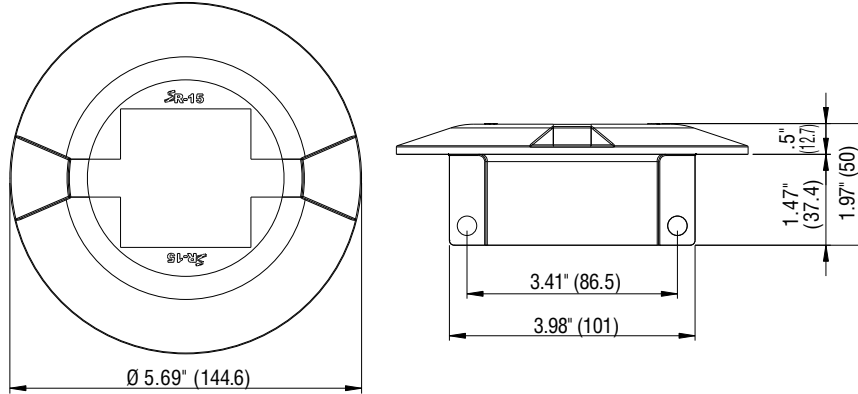
Visit our web site: www.xwalk.com



Traffic Safety Corporation
 2708 47th Ave.
 Sacramento, CA 95822-3806
 Toll Free: 888.446.9255
 Tel: 916.394.9884
 Email: sales@xwalk.com
 Web: www.xwalk.com

TS-SR-15VL
Uplighted
LED Road Stud

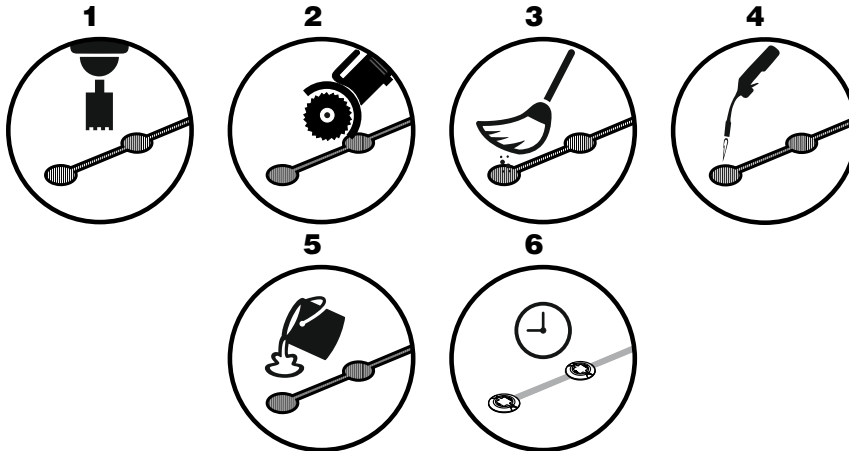
Dimensions (mm)



Installation Procedure



Personal protective equipment must be worn during installation process.



- 1** After deciding the location where the stud will be installed, drill a hole having a minimum diameter of 4.33" (110mm) and 1.77" (45mm) deep.
- 2** Using a disk cutter, open a connection between the holes with .6" (15mm) width and 1.57" (40mm) depth.
- 3** Brush any debris or dust from the hole resulting from drilling.
- 4** Dry the hole with a blowtorch to remove any moisture that may compromise the adhesion and effectiveness of the grout.
- 5** Pour ±4.4 lb. (±2 kg) of ULTRAFLOW 4000/8 grout in the hole and insert the stud checking that the LEDs are facing the correct direction. Remove any excess grout.
- 6** The grout drying time may change depending on weather conditions. Consult the grout data sheet for more information.

Changing or not completing the described installation process can result in suspension of warranty.

Visit our web site: www.xwalk.com



Traffic Safety Corporation
 2708 47th Ave.
 Sacramento, CA 95822-3806
 Toll Free: 888.446.9255
 Tel: 916.394.9884
 Email: sales@xwalk.com
 Web: www.xwalk.com

TS-SR-15VL Uplighted LED Road Stud

TS-SR-15VL



Models

TS-SR-15-VLW-1G
 TS-SR-15-VLR-1G
 TS-SR-15-VLY-1G
 TS-SR-15-VLB-1G
 TS-SR-15-VLG-1G

Description

Hardwired Road Stud (No Maintenance) / 3mt Cable Included / 1 Cable Gland
 "
 "
 "
 "

Color

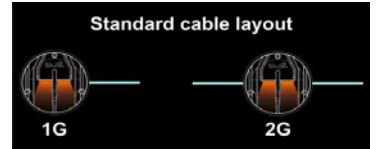
White
 Red
 Yellow
 Blue
 Green

OBS.:

Cable standard (included): 0.75mm² wire section

Different cable layouts and length should be requested upon order!

Standard mode: Always ON. For flashing or sequential mode, a microcontroller is required.



CAP Options (TS-SR-20VL):

Different CAP treatments available by request

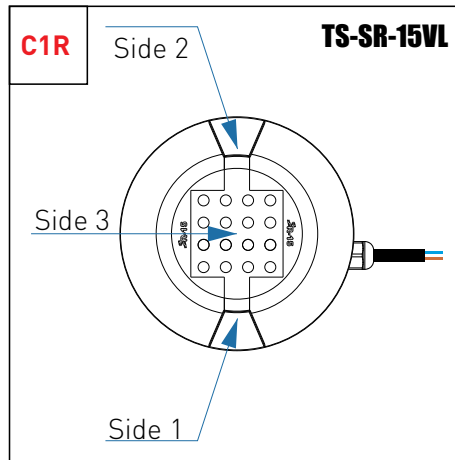
Cable Gland:
 Color combinations:

TS-SR-XX-VLX-2G
 by request

2 Cable Glands

LED Configuration

One road stud with two or more LED colors



Visit our web site: www.xwalk.com

TS-SR-15VL Cable Layout

