



Traffic Safety Corporation  
2708 47th Ave.  
Sacramento, CA 95822-3806  
Toll Free: 888.446.9255  
Tel: 916.394.9884  
Email: sales@xwalk.com  
Web: www.xwalk.com

## TS-SR-50-RYG Rotatable, Stainless Steel Rail Signal LED Road Stud

### General Description

Signaling systems are fundamental to the safe and efficient running of railway operations. The systems are used to signal the permitted running speed to the train operator. Our in-pavement, recessed fixtures provide signaling without obstructing the flow of pedestrians and vehicle traffic in urban environments.

Our TS-SR-50-RYG stainless steel road stud features a durable, low maintenance design with outstanding visibility during the day and at night.

### Features

- Use with traffic control devices.
- Robust construction, suitable for harsh conditions.
- Snowplow resistant.
- Ability to rotate after installation.
- Only .16" (4mm) above road surface.
- Red, Yellow and Green highbright LEDs (1W) with internal lens - used for maximum brightness.
- Specially developed heat sink to increase LED lifetime.
- Outstanding visibility during the day and at night.
- Low maintenance, 100% waterproof.
- Easy replacement: base (fixed in the pavement), main body (removable).
- Polycarbonate window protects LEDs.

### Specifications

#### Modes of Operation:

- Always On (other modes of operation like flashing or sequential are available with external controller)

#### LED Configuration:

- Unidirectional or bidirectional

#### Electrical:

- Power Supply: 12V/24V DC
- Current Consumption: Red 86/46 mA, Yellow 90/48 mA, Green 123/65 mA
- Power Cable: Wire 1 (+), Wire 2 (-), Wire 3 (Green PWM), Wire 4 (Red PWM), Yellow/Green (Yellow PWM)



- Working Temperature: -13°F to +185°F (-25°C to +85°C)

#### Optical:

- LED Number:  
3 LEDs (Unidirectional)  
6 LEDs (Bidirectional)
- LED Type: High power (1W)
- LED Colors: Red, Yellow, Green
- Viewing Angle: 16°

#### Mechanical:

- Main Body: Stainless Steel League
- Base: Aluminium
- Mechanical Resistance: 160 tons
- Weight: 4.85 lb. (2.2 kg)
- Protection Index: IP68, IK10
- Dimensions: 5.67" (144mm) diameter x 3.74" (95mm) height

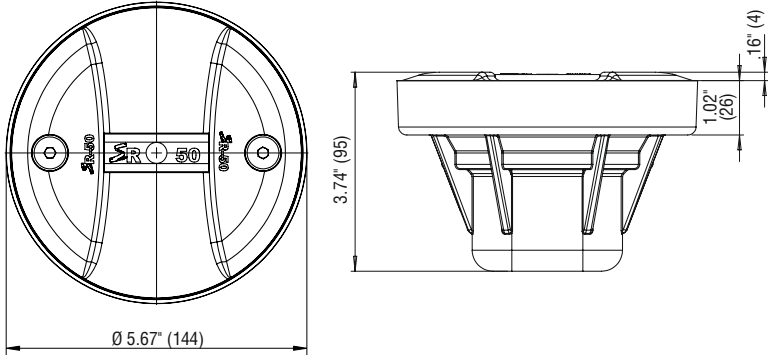
Visit our web site: [www.xwalk.com](http://www.xwalk.com)



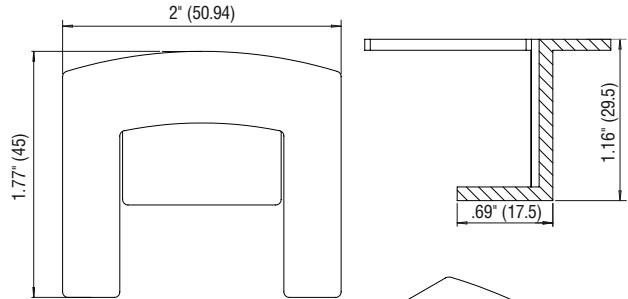
Traffic Safety Corporation  
 2708 47th Ave.  
 Sacramento, CA 95822-3806  
 Toll Free: 888.446.9255  
 Tel: 916.394.9884  
 Email: sales@xwalk.com  
 Web: www.xwalk.com

## TS-SR-50-RYG Rotatable, Stainless Steel Rail Signal LED Road Stud

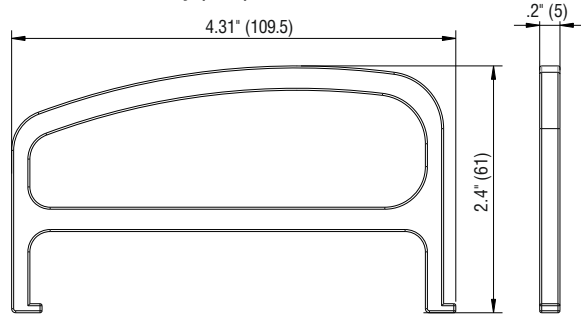
### Dimensions (mm)



### Installation Accessory (mm)



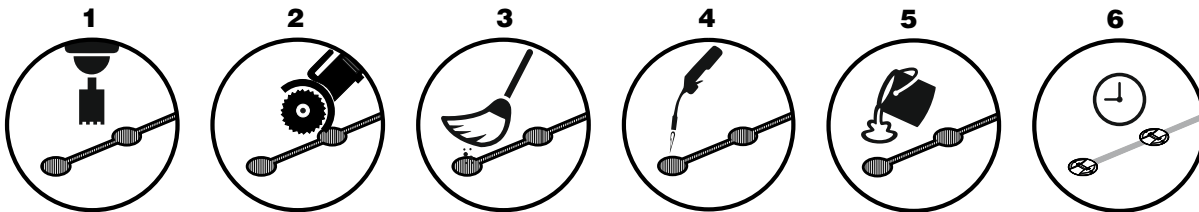
### Rotation Accessory (mm)



### Installation Procedure



Personal protective equipment must be worn during installation process.



- 1** After deciding the location where the stud will be installed, drill a hole having a diameter between 5.9"-6.1" (151-155mm) and 3.94" (100mm) deep.
- 2** Using a disk cutter, open a connection between the holes with .59" (15mm) width and 2.36" (60mm) depth.
- 3** Brush any debris or dust from the hole resulting from drilling.
- 4** Dry the hole with a blowtorch to remove any moisture that may compromise the adhesion and effectiveness of the grout.
- 5** Pour  $\pm 5.5$  lb. ( $\pm 2.5$  kg) of ULTRAFLOW 4000/8 grout in the hole and insert the stud checking that the LEDs are facing the correct direction. Remove any excess grout.
- 6** The grout drying time may change depending on weather conditions. Consult the grout data sheet for more information.

Changing or not completing the described installation process can result in suspension of warranty.

**Visit our web site: [www.xwalk.com](http://www.xwalk.com)**