



Traffic Safety Corporation
 2708 47th Ave.
 Sacramento, CA 95822-3806
 Toll Free: 888.446.9255
 Tel: 916.394.9884
 Email: sales@xwalk.com
 Web: www.xwalk.com

TS-SR-70 Omni-directional, Stainless Steel LED Road Stud

General Description

Our TS-SR-70 stainless steel road stud features a durable, low maintenance design with outstanding visibility during the day and at night.

The TS-SR-70 is typically used to mark roundabouts and school zones.

Features

- 360° lighting.
- Highly resistant to impact and corrosion.
- Robust construction, suitable for harsh conditions.
- Snowplow resistant.
- Only .6" (15.2mm) above road surface.
- Connect multiple road studs in series circuit.
- Outstanding visibility during the day and at night.
- Up to .62 mile (1 km) visibility distance due to high intensity LEDs.
- Suitable for marking roundabouts and school zones.
- Low maintenance, 100% waterproof.
- Easy replacement: base (fixed in the pavement), main body (removable).
- LEDs protected by polycarbonate window.
- Optional: use different LED colors in each window.

Specifications

Modes of Operation:

- Always On (other modes of operation like flashing or sequential are available with external controller)

LED Configuration:

- Multidirectional

Electrical:

- Power Supply: 12V DC or 24V DC
- Current Consumption: 160 mA
- Power Cable: Brown Wire (+), Blue Wire (-)
- Working Temperature: -13°F to +185°F (-25°C to +85°C)

Optical:

- LED Number: 24 LEDs



- LED Type: 5mm
- LED Colors: White, Red, Yellow, Green, Blue
- Viewing Angle: 15°

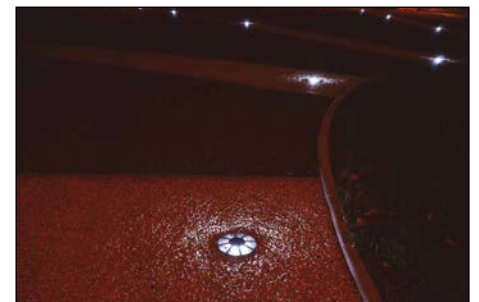
Mechanical:

- Main Body: Stainless Steel League
- Base: Aluminium
- Mechanical Resistance: 135 tons
- Weight: 7.7 lb. (3.5 kg)
- Protection Index: IP68, IK10
- Dimensions: 7.48" (190mm) diameter x 4.24" (107.7mm) height

Other Versions

TS-SR-70P:

- 8 high power LEDs (1W) for maximum brightness (day and night)
- Specially developed heat sink to increase LED lifetime.
- Viewing Angle: 16°
- Power Supply: 24V DC (400 mA max)



TS-SR-70RGB:

- 8 high power LEDs (1W) for maximum brightness (day and night)
- Multiple colors in one road stud.
- LED Colors: Red, Green, Blue, White
- Viewing Angle: 16°

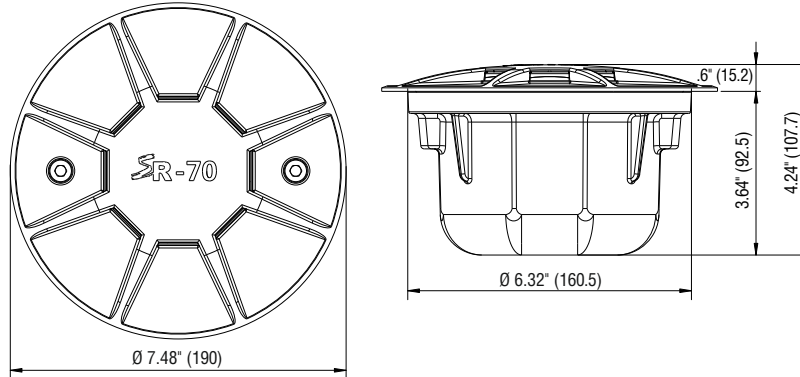
Visit our web site: www.xwalk.com



Traffic Safety Corporation
2708 47th Ave.
Sacramento, CA 95822-3806
Toll Free: 888.446.9255
Tel: 916.394.9884
Email: sales@xwalk.com
Web: www.xwalk.com

TS-SR-70 Omni-directional, Stainless Steel LED Road Stud

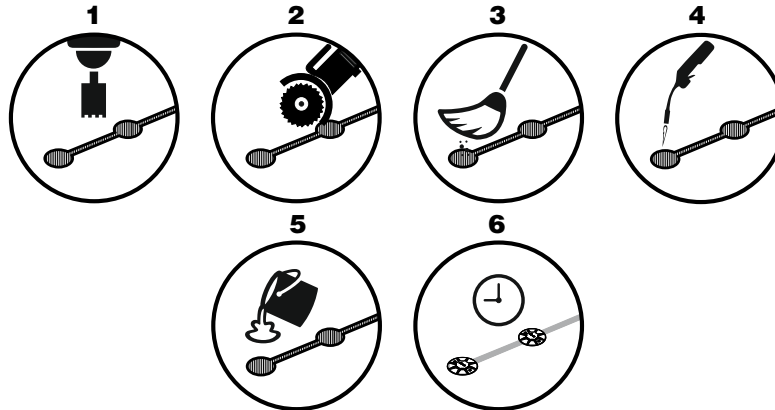
Dimensions (mm)



Installation Procedure



Personal protective equipment must be worn during installation process.



- 1 After deciding the location where the stud will be installed, drill a hole having a minimum diameter of 6.5" (165mm) and 3.94" (100mm) deep.
- 2 Using a disk cutter, open a connection between the holes with .59" (15mm) width and 2.36" (60mm) depth.
- 3 Brush any debris or dust from the hole resulting from drilling.
- 4 Dry the hole with a blowtorch to remove any moisture that may compromise the adhesion and effectiveness of the grout.
- 5 Pour ± 5.5 lb. (± 2.5 kg) of ULTRAFLOW 4000/8 grout in the hole and insert the stud checking that the LEDs are facing the correct direction. Remove any excess grout.
- 6 The grout drying time may change depending on weather conditions. Consult the grout data sheet for more information.

Changing or not completing the described installation process can result in suspension of warranty.

Visit our web site: www.xwalk.com



Traffic Safety Corporation
 2708 47th Ave.
 Sacramento, CA 95822-3806
 Toll Free: 888.446.9255
 Tel: 916.394.9884
 Email: sales@xwalk.com
 Web: www.xwalk.com

TS-SR-70 Omni-directional, Stainless Steel LED Road Stud

TS-SR-70



360° View 24 LEDs

Model

TS-SR-70-W-1G
 TS-SR-70-R-1G
 TS-SR-70-Y-1G
 TS-SR-70-B-1G
 TS-SR-70-G-1G

Description

Hardwired Road Stud / 3mt Cable Inc. / 24 LED / Snowplow Resist. / 1 Cable Gland
 " "
 " "
 " "

Color

White
 Red
 Yellow
 Blue
 Green

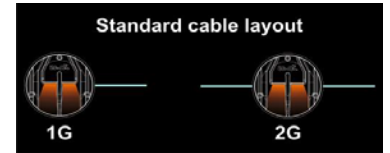
OBS.:

Cable standard (included): 0.75mm² wire section
Different cable layouts and length should be requested upon order!
 Standard mode: Always ON. For flashing or sequential mode, a microcontroller is required.

Cable Gland:

TS-SR-XX(X)-X(X)-2G

2 Cable Glands



Color (TS-SR-45(A)/48) e.g.: TS-SR-XX(X)-WR-XX
 Color combinations:

Side 1 - White / Side 2 - Red

WR, WY, WB, WG, RY, RB, RG, YB, YG, BG

TS-SR-70P



360° View 8 POWER LEDs

Models

TS-SR-70P-W-1G
 TS-SR-70P-R-1G
 TS-SR-70P-Y-1G
 TS-SR-70P-B-1G
 TS-SR-70P-G-1G

Description

Hardwired Road Stud / 3mt Cable Inc. / 8 LED / Snowplow Resist. / 1 Cable Gland
 " "
 " "
 " "

Color

White
 Red
 Yellow
 Blue
 Green

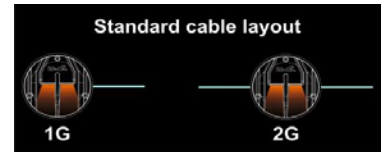
OBS.:

Cable standard (included): 0.75mm² wire section
Different cable layouts and length should be requested upon order!
 Standard mode: Always ON. For flashing or sequential mode, a microcontroller is required.

Cable Gland:

TS-SR-XX(X)P-X(X)-2G

2 Cable Glands



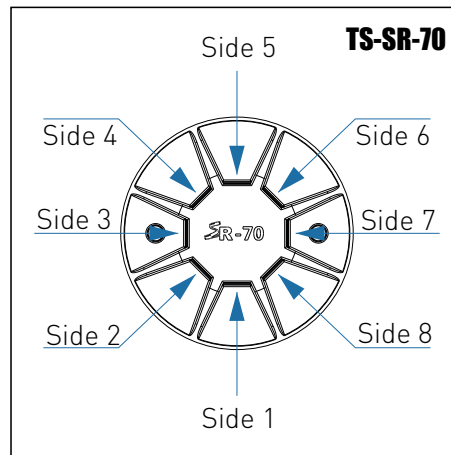
Color (TS-SR-45(A)/48) e.g.: TS-SR-XX(X)P-WR-XX
 Color combinations:

Side 1 - White / Side 2 - Red

WR, WY, WB, WG, RY, RB, RG, YB, YG, BG

LED Configuration

One road stud with two or more LED colors



Visit our web site: www.xwalk.com

TS-SR-70 Cable Layout

