



Traffic Safety Corporation
 2708 47th Ave.
 Sacramento, CA 95822-3806
 Toll Free: 888.446.9255
 Tel: 916.394.9884
 Email: sales@xwalk.com
 Web: www.xwalk.com

TS-SR-U2H7 Illuminated Crosswalk Overhead Sign

General Description

The TS-SR-U2H7 is an innovative internally illuminated crosswalk overhead sign that projects light downward to improve the visibility of pedestrians in a crosswalk.

Features

- Effective illumination for crosswalks.
- Low power consumption.
- Long lifetime LEDs.
- Direct connection to 230V AC.
- Impact-resistant and waterproof polycarbonate panels.
- Easy installation.

Specifications

Modes of Operation:

- Always On

Electrical:

- Power Supply: 230V AC
- Power Consumption: 78W (Internal Illumination), 82W (LED Floodlights)
- Expected lifetime: 10 years
- Power Cable: Brown Wire (Line), Blue Wire (Neutral), Yellow/Green (Earth)
- Working Temperature: -13°F to +185°F (-25°C to +85°C)

Optical:

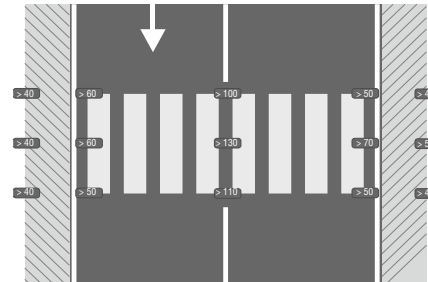
- LED Quantity: Floodlights 30 + 30
- CRI: 72
- Color Temperature: 5700K
- Minimum Luminous flux p/LED: 120lm
- Floodlight Luminous flux: 3335lm/each

Mechanical:

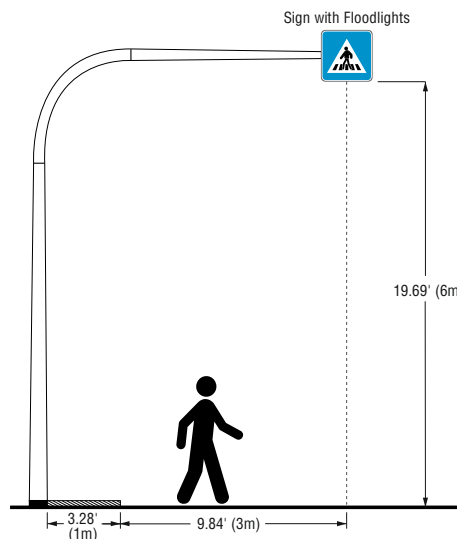
- Material: Light metal alloy housing made of 2mm thick inox sheet
- Weight: 48.5 lb. (22 kg)
- Protection Index: IP65
- Dimensions: 29.65" (753mm) length x 29.65" (753mm) width x 7.64" (194mm) depth



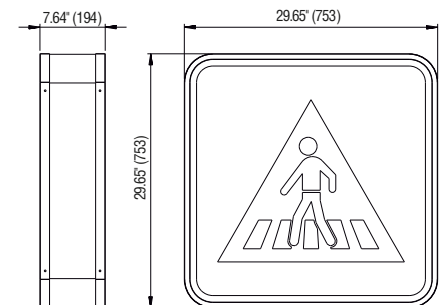
Crosswalk Light Distribution



Installation Example



Dimensions (mm)



Visit our web site: www.xwalk.com