

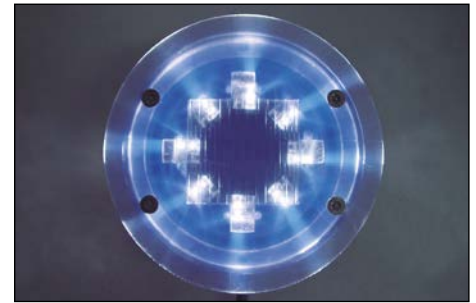


Traffic Safety Corporation
 2708 47th Ave.
 Sacramento, CA 95822-3806
 Toll Free: 888.446.9255
 Tel: 916.394.9884
 Email: sales@xwalk.com
 Web: www.xwalk.com

TS-SR-i35
360° Intelligent Solar
LED Road Stud

Features

- Use of microcontroller technology.
- Well-suited for road areas with cycling infrastructures and pedestrian zones.
- Bicycle friendly, only .67" (17mm) above road surface.
- 360° lighting.
- Low maintenance, 100% waterproof.
- SLEEP mode to prevent discharge during storage / transport.
- Constant brightness during all functioning period.
- Protection against deep discharge of the batteries / capacitors.
- High performance photovoltaic solar module.
- Energy storage in super capacitors or batteries.
- Internal prismatic system.
- Many LED color options available for a wide variety of applications.



Specifications

Modes of Operation:

- Always On or Flashing

LED Configuration:

- Multidirectional

Electrical:

Power Supply	Always On		Flashing	
	Battery	Capacitor	Battery	Capacitor
Autonomy After Full Charge (hours)	1000	35	2500	70
SLEEP Mode Autonomy	12 Months ¹			
Working Temperature	-13°F to +185°F (-25°C to +85°C)			

¹ Battery version only. After 12 months it is necessary to recharge the road stud a minimum of 2 sunny days.

Optical:

- LED Quantity: 4 LEDs (Multidirectional)
- LED Type: 5mm
- LED Colors: White, Red, Yellow, Green, Blue
- Viewing Angle: 15°

Mechanical:

- Material: Aluminum and Polycarbonate
- Mechanical Resistance: 18 tons
- Weight: 2.2 lb. (1 kg)
- Protection Index: IP68, IK10
- Dimensions: 5.71" (145mm) diameter x 3.5" (89mm) height



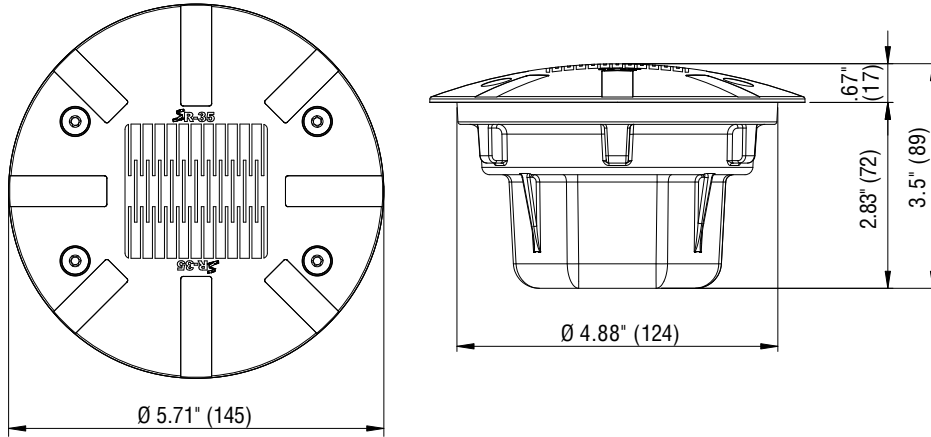
Visit our web site: www.xwalk.com



Traffic Safety Corporation
2708 47th Ave.
Sacramento, CA 95822-3806
Toll Free: 888.446.9255
Tel: 916.394.9884
Email: sales@xwalk.com
Web: www.xwalk.com

TS-SR-i35
360° Intelligent Solar
LED Road Stud

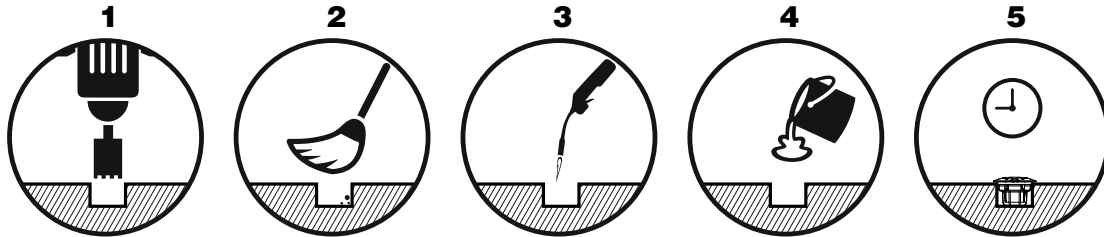
Dimensions (mm)



Installation Procedure



Personal protective equipment must be worn during installation process.



- 1** After deciding the location where the stud will be installed, drill a hole having a minimum diameter of 5.12" (130mm) and 3.15" (80mm) deep.
- 2** Brush any debris or dust from the hole resulting from drilling.
- 3** Dry the hole with a blowtorch to remove any moisture that may compromise the adhesion and effectiveness of the grout.
- 4** Pour ±4.4 lb. (±2 kg) of ULTRAFLOW 4000/8 grout in the hole and insert the stud checking that the LEDs are facing the correct direction. Remove any excess grout.
- 5** The grout drying time may change depending on weather conditions. Consult the grout data sheet for more information.

Changing or not completing the described installation process can result in suspension of warranty.

Visit our web site: www.xwalk.com



Traffic Safety Corporation
 2708 47th Ave.
 Sacramento, CA 95822-3806
 Toll Free: 888.446.9255
 Tel: 916.394.9884
 Email: sales@xwalk.com
 Web: www.xwalk.com

TS-SR-i35
360° Intelligent Solar
LED Road Stud

TS-SR-i35



Models

- TS-SR-i35-4W-F-C
- TS-SR-i35-4R-F-C
- TS-SR-i35-4Y-F-C
- TS-SR-i35-4B-F-C
- TS-SR-i35-4G-F-C

Description

- Solar i-Stud, 4 LED / Flashing / Capacitor
- "
- "
- "
- "

Color

- White
- Red
- Yellow
- Blue
- Green

Operating mode option:

- TS-SR-i35-4X-A-C Always ON (With Capacitor)
- TS-SR-i35-4X-F-B Flashing (With Battery)
- TS-SR-i35-4X-A-B Always ON (With Battery)

Color combinations:

by request

OBS.:

Cable standard (included): 0.75mm² wire section
Different cable layouts and length should be requested upon order!
 Standard mode: Always ON. For flashing or sequential mode, a microcontroller is required.

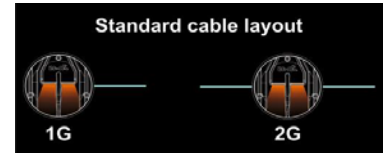
Cable Gland:

TS-SR-35C-XXX-2G

2 Cable Glands

Color combinations:

by request



Visit our web site: www.xwalk.com