

TS-SRL-U1H7 Illuminated Crosswalk Overhead Sign

General Description

The TS-SRL-U1H7 is an innovative internally illuminated crosswalk overhead sign that projects light downward to improve the visibility of pedestrians in a crosswalk.

Features

- Effective illumination for crosswalks
- Low power consumption
- Long-life SMD LEDs
- Direct connection to 230V AC
- Impact-resistant and waterproof polycarbonate panels
- Internal aluminum housing optimized for heat dissipation
- Easy installation

Specifications

Modes of Operation

- Always On (other modes of operation like flashing or sequential are available with external controller)

LED Configuration

- Backlit pedestrian crosswalk sign with LED floodlight to illuminate the pedestrian crossing.

Electrical

- Power Supply: 230V AC
- Max. Power Consumption: 130W
- Power Cable: Brown Wire (Line), Blue Wire (Neutral), Yellow/Green (Earth)
- Cable Section: 3 x 1.5mm
- Working Temperature: -13°F to +185°F (-25°C to +85°C)

Optical

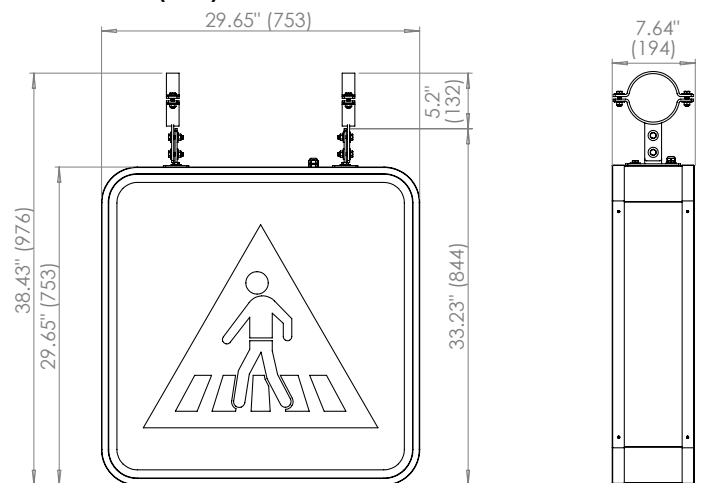
- Internal Light Power: 60 W
- LED Floodlight Characteristics:
 - Power: 60 W
 - LED Quantity: 30 LEDs
 - CRI: 72
 - Color Temperature: 5700 K
 - Minimum Luminous Flux p/LED: 240 lm
 - Total Luminous Flux: 6501 lm

Mechanical

- Material: Light metal alloy housing, 2 mm stainless steel sheet
- Max. Dimensions (mm): 29.65" (753) x 38.43" (976) x 7.64" (194)



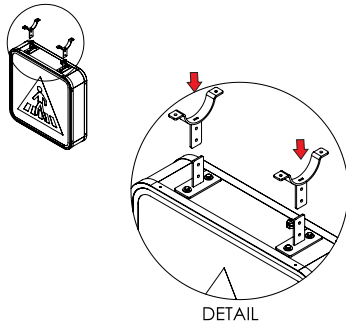
Dimensions (mm)



- Vinyl Type: 3M Diamond Grade Class 3
- Protection Index: IP56, IK10
- Compliance: EN60598
- Weight: 44.1 lb. (20 Kg)

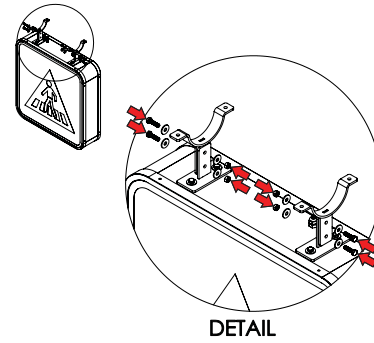
Installation

STEP 1



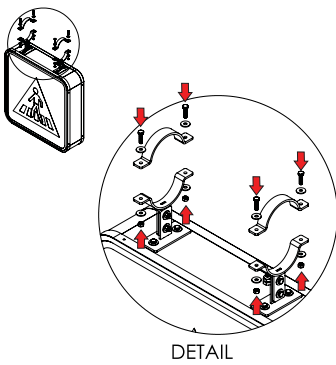
Place the bottom part of the brackets on top of the sign.

STEP 2



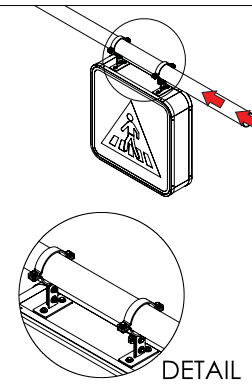
Use screws, washers, and nuts to secure the brackets in place.

STEP 3



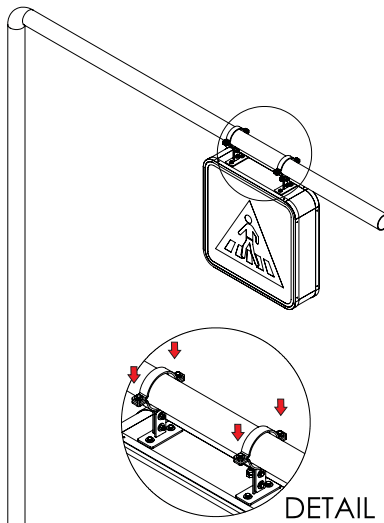
Place the upper part of the brackets and install the screws, washers, and nuts to secure the brackets without giving the final tightening.

STEP 4



Install the sign by inserting the brackets onto the pole.

STEP 5



Fully tighten, ensuring the fixture is securely fastened to the pole.