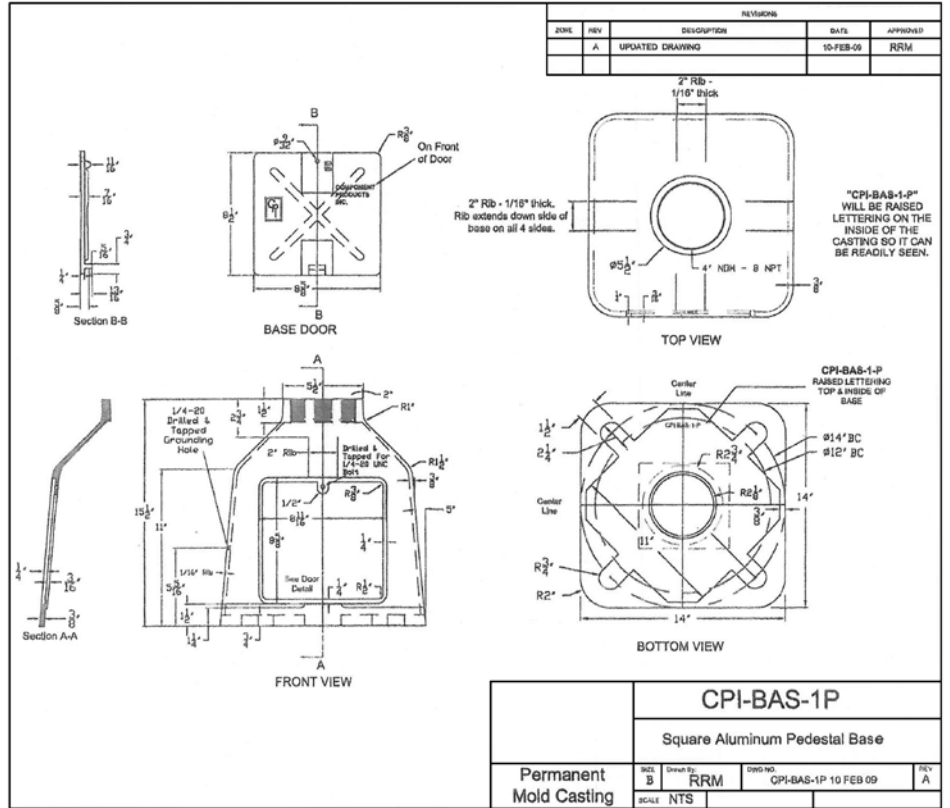
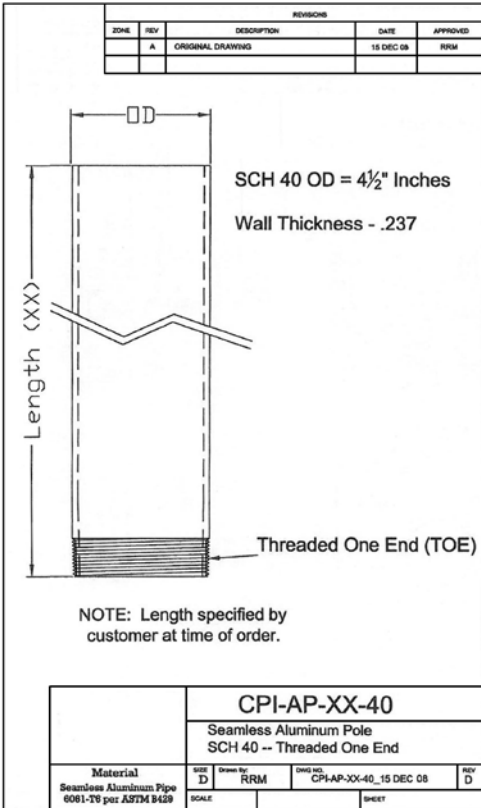


4-1/2" Aluminum Pole System

Features

- For TS35, T45 signs, TS50 beacons and TS60 RRFBs.
- 4-1/2" O.D. pole with a spun aluminum finish.
- Meets breakaway requirements of FDOT and MUTCD.
- Threaded on one end to insert into the square aluminum base.
- Re-enforcing collar to resist heavy wind loads.
- Includes pole cap and four galvanized 3/4" x 18" anchor bolts.
- Available lengths: 10 ft., 12 ft., 14 ft., or 16 ft.



+1.888.446.9255 USA
+1.916.394.9884 Worldwide

xwalk.com
sales@xwalk.com

Traffic Safety Corp., 2708 47th Ave.
Sacramento, CA, 95822, USA