



Traffic Safety Corporation  
2708 47th Ave.  
Sacramento, CA 95822-3806  
Toll Free: 888.446.9255  
Tel: 916.394.9884  
Email: sales@xwalk.com  
Web: www.xwalk.com

## TS-SR-20VL Uplighted LED Road Stud

### Features

- Road stud specially developed to illuminate historic areas and pedestrian zones.
- Ideal for zones where it's necessary to project vertical lighting.
- Only .59" (15mm) above road surface.
- High brightness during day and night.
- Low maintenance, 100% waterproof.
- Connect multiple road studs in series circuit.
- Wired system that can be powered by electric or solar energy.
- Low power consumption.
- Internal prismatic system.
- Up to .62 mile (1 km) visibility distance due to high intensity LEDs.
- Many LED color options available for a wide variety of applications.

### Specifications

#### Modes of Operation:

- Always On (other modes of operation like flashing or sequential are available with external controller)

#### LED Configuration:

- Uplight
- Uplight + 1 side illuminated
- Uplight + 2 sides illuminated

#### Electrical:

- Power Supply: 12V DC or 24V DC
- Current Consumption: Uplight: 160 mA, Unidirectional: 20mA, Bidirectional: 40mA
- Power Cable: Brown Wire (+), Blue Wire (-)
- Working Temperature: -13°F to +185°F (-25°C to +85°C)

#### Optical:

- LED Quantity: 16 LEDs (up to 4 optional LEDs may be added to the sides)
- LED Type: 5mm
- LED Colors: White, Red, Yellow, Green, Blue
- Viewing Angle: 15°



#### Mechanical:

- Material: Aluminum and Polycarbonate
- Mechanical Resistance: 20 tons
- Weight: 2.2 lb. (1 kg)
- Protection Index: IP68, IK10
- Dimensions: 5.67" (144mm) diameter x 3.43" (87mm) height

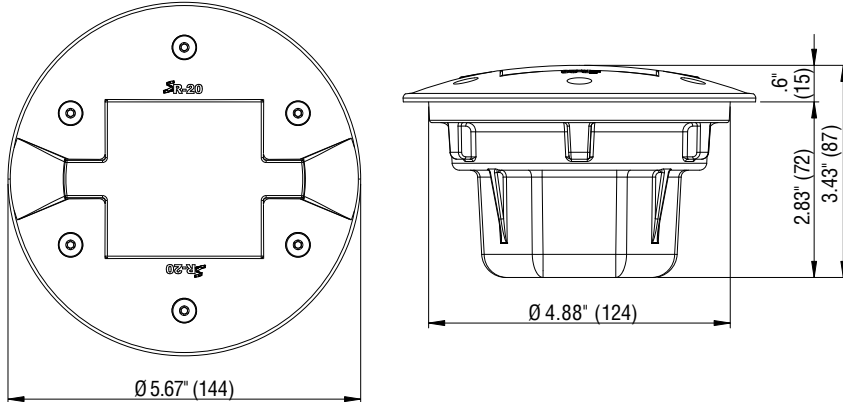
Visit our web site: [www.xwalk.com](http://www.xwalk.com)



Traffic Safety Corporation  
2708 47th Ave.  
Sacramento, CA 95822-3806  
Toll Free: 888.446.9255  
Tel: 916.394.9884  
Email: sales@xwalk.com  
Web: www.xwalk.com

## TS-SR-20VL Uplighted LED Road Stud

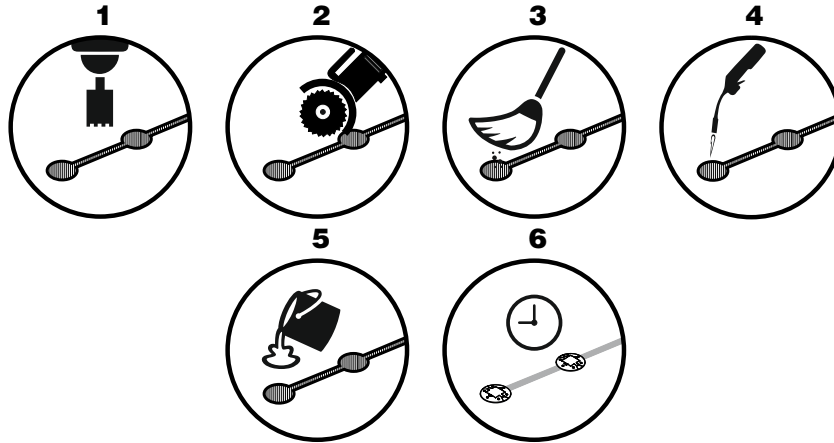
### Dimensions (mm)



### Installation Procedure



Personal protective equipment must be worn during installation process.



- 1 After deciding the location where the stud will be installed, drill a hole having a minimum diameter of 5.12" (130mm) and 3.15" (80mm) deep.
- 2 Using a disk cutter, open a connection between the holes with .6" (15mm) width and 2.36" (60mm) depth.
- 3 Brush any debris or dust from the hole resulting from drilling.
- 4 Dry the hole with a blowtorch to remove any moisture that may compromise the adhesion and effectiveness of the grout.
- 5 Pour  $\pm 4.4$  lb. ( $\pm 2$  kg) of SikaFlow-648 grout in the hole and insert the stud checking that the LEDs are facing the correct direction. Remove any excess grout.
- 6 The grout drying time may change depending on weather conditions. Consult the grout data sheet for more information.

**Changing or not completing the described installation process can result in suspension of warranty.**

Visit our web site: [www.xwalk.com](http://www.xwalk.com)



Traffic Safety Corporation  
 2708 47th Ave.  
 Sacramento, CA 95822-3806  
 Toll Free: 888.446.9255  
 Tel: 916.394.9884  
 Email: sales@xwalk.com  
 Web: www.xwalk.com

## TS-SR-20VL Uplighted LED Road Stud

### TS-SR-20VL



#### Models

TS-SR-20-VLW-1G  
 TS-SR-20-VLR-1G  
 TS-SR-20-VLY-1G  
 TS-SR-20-VLB-1G  
 TS-SR-20-VLG-1G

#### Description

Hardwired Road Stud / 3mt Cable Included / Standard CAP / 1 Cable Gland  
 "  
 "  
 "  
 "

#### Color

White  
 Red  
 Yellow  
 Blue  
 Green

#### OBS.:

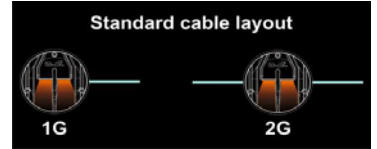
Cable standard (included): 0.75mm<sup>2</sup> wire section

**Different cable layouts and length should be requested upon order!**

Standard mode: Always ON. For flashing or sequential mode, a microcontroller is required.

#### CAP Options (TS-SR-20VL):

Different CAP treatments available by request



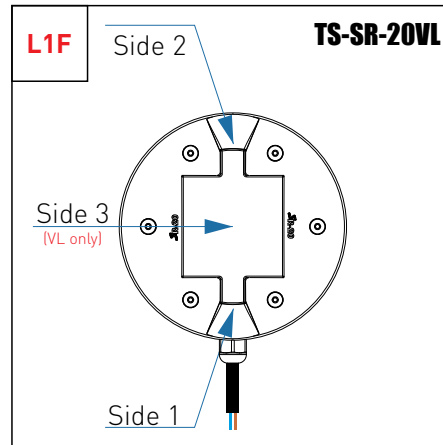
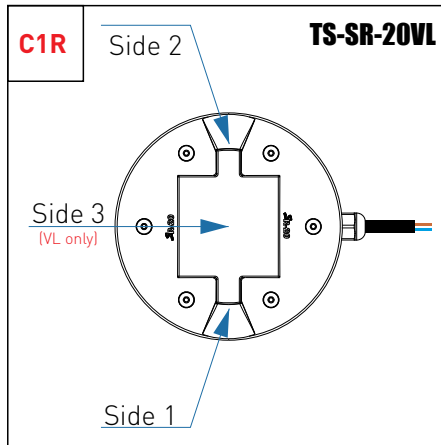
Cable Gland:  
 Color combinations:

TS-SR-XX-VLX-2G  
 by request

2 Cable Glands

### LED Configuration

One road stud with two or more LED colors



Visit our web site: [www.xwalk.com](http://www.xwalk.com)

# TS-SR-20VL Cable Layout

