



Traffic Safety Corporation  
2708 47th Ave.  
Sacramento, CA 95822-3806  
Toll Free: 888.446.9255  
Tel: 916.394.9884  
Fax: 916.394.2809  
Email: sales@xwalk.com  
Web: www.xwalk.com

## TS-SR-70 Omni-directional, Stainless Steel LED Road Stud

### General Description

Our TS-SR-70 stainless steel road stud features a durable, low maintenance design with outstanding visibility during the day and at night.

The TS-SR-70 is typically used to mark roundabouts and school zones.

### Features

- 360° lighting.
- Highly resistant to impact and corrosion.
- Robust construction, suitable for harsh conditions.
- Snowplow resistant.
- Only .6" (15.2mm) above road surface.
- Connect multiple road studs in series circuit.
- Outstanding visibility during the day and at night.
- Up to .62 mile (1 km) visibility distance due to high intensity LEDs.
- Suitable for marking roundabouts and school zones.
- Low maintenance, 100% waterproof.
- Easy replacement: base (fixed in the pavement), main body (removable).
- LEDs protected by polycarbonate window.
- Optional: use different LED colors in each window.

### Specifications

#### Modes of Operation:

- Always On (other modes of operation like flashing or sequential are available with external controller)

#### LED Configuration:

- Multidirectional

#### Electrical:

- Power Supply: 12V DC or 24V DC
- Current Consumption: 160 mA
- Power Cable: Brown Wire (+), Blue Wire (-)
- Working Temperature: -13°F to +185°F (-25°C to +85°C)

#### Optical:

- LED Number: 24 LEDs



- LED Type: 5mm
- LED Colors: White, Red, Yellow, Green, Blue
- Viewing Angle: 15°

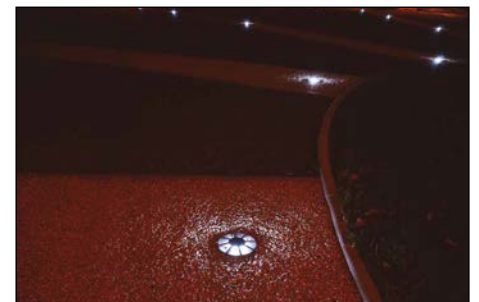
#### Mechanical:

- Main Body: Stainless Steel League
- Base: Aluminium
- Mechanical Resistance: 135 tons
- Weight: 7.7 lb. (3.5 kg)
- Protection Index: IP68, IK10
- Dimensions: 7.48" (190mm) diameter x 4.24" (107.7mm) height

#### Other Versions

##### TS-SR-70P:

- 8 high power LEDs (1W) for maximum brightness (day and night)
- Specially developed heat sink to increase LED lifetime.
- Viewing Angle: 16°
- Power Supply: 24V DC (400 mA max)



##### TS-SR-70RGB:

- 8 high power LEDs (1W) for maximum brightness (day and night)
- Multiple colors in one road stud.
- LED Colors: Red, Green, Blue, White
- Viewing Angle: 16°

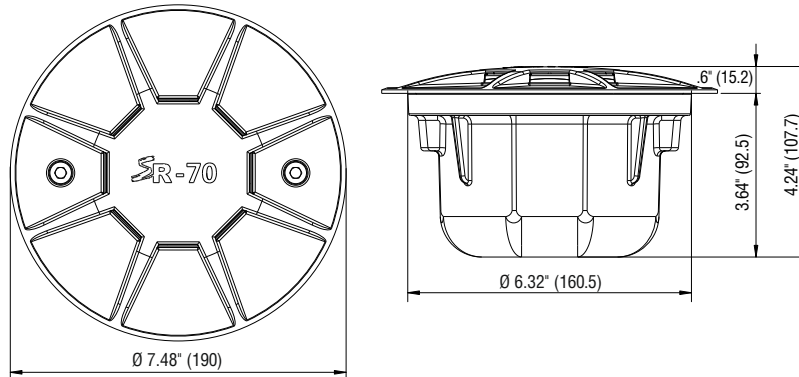
Visit our web site: [www.xwalk.com](http://www.xwalk.com)



Traffic Safety Corporation  
2708 47th Ave.  
Sacramento, CA 95822-3806  
Toll Free: 888.446.9255  
Tel: 916.394.9884  
Fax: 916.394.2809  
Email: sales@xwalk.com  
Web: www.xwalk.com

## TS-SR-70 Omni-directional, Stainless Steel LED Road Stud

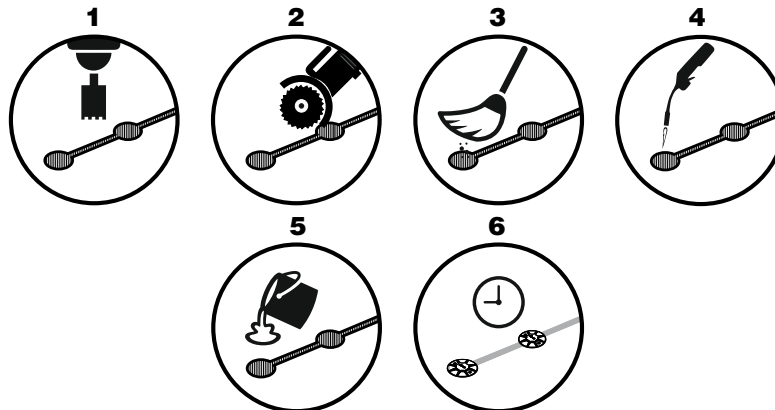
### Dimensions (mm)



### Installation Procedure



Personal protective equipment must be worn during installation process.



- 1 After deciding the location where the stud will be installed, drill a hole having a minimum diameter of 6.5" (165mm) and 3.94" (100mm) deep.
- 2 Using a disk cutter, open a connection between the holes with .59" (15mm) width and 2.36" (60mm) depth.
- 3 Brush any debris or dust from the hole resulting from drilling.
- 4 Dry the hole with a blowtorch to remove any moisture that may compromise the adhesion and effectiveness of the grout.
- 5 Pour  $\pm 5.5$  lb. ( $\pm 2.5$  kg) of ULTRAFLOW 4000/8 grout in the hole and insert the stud checking that the LEDs are facing the correct direction. Remove any excess grout.
- 6 The grout drying time may change depending on weather conditions. Consult the grout data sheet for more information.

**Changing or not completing the described installation process can result in suspension of warranty.**

**Visit our web site: [www.xwalk.com](http://www.xwalk.com)**



Traffic Safety Corporation  
 2708 47th Ave.  
 Sacramento, CA 95822-3806  
 Toll Free: 888.446.9255  
 Tel: 916.394.9884  
 Fax: 916.394.2809  
 Email: sales@xwalk.com  
 Web: www.xwalk.com

## TS-SR-70 Omni-directional, Stainless Steel LED Road Stud

### TS-SR-70



**360° View 24 LEDs**

**Model**

TS-SR-70-W-1G  
 TS-SR-70-R-1G  
 TS-SR-70-Y-1G  
 TS-SR-70-B-1G  
 TS-SR-70-G-1G

**Description**

Hardwired Road Stud / 3mt Cable Inc. / 24 LED / Snowplow Resist. / 1 Cable Gland  
 "  
 "  
 "  
 "

**Color**

White  
 Red  
 Yellow  
 Blue  
 Green

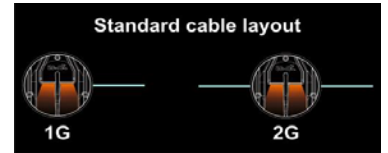
**OBS.:**

Cable standard (included): 0.75mm<sup>2</sup> wire section  
**Different cable layouts and length should be requested upon order!**  
 Standard mode: Always ON. For flashing or sequential mode, a microcontroller is required.

**Cable Gland:**

TS-SR-XX(X)-X(X)-2G

2 Cable Glands



Color (TS-SR-45(A)/48) e.g.: TS-SR-XX(X)-WR-XX  
 Color combinations:

Side 1 - White / Side 2 - Red

WR, WY, WB, WG, RY, RB, RG, YB, YG, BG

### TS-SR-70P



**360° View 8 POWER LEDs**

**Models**

TS-SR-70P-W-1G  
 TS-SR-70P-R-1G  
 TS-SR-70P-Y-1G  
 TS-SR-70P-B-1G  
 TS-SR-70P-G-1G

**Description**

Hardwired Road Stud / 3mt Cable Inc. / 8 LED / Snowplow Resist. / 1 Cable Gland  
 "  
 "  
 "  
 "

**Color**

White  
 Red  
 Yellow  
 Blue  
 Green

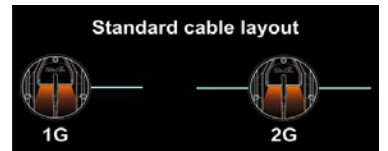
**OBS.:**

Cable standard (included): 0.75mm<sup>2</sup> wire section  
**Different cable layouts and length should be requested upon order!**  
 Standard mode: Always ON. For flashing or sequential mode, a microcontroller is required.

**Cable Gland:**

TS-SR-XX(X)P-X(X)-2G

2 Cable Glands



Color (TS-SR-45(A)/48) e.g.: TS-SR-XX(X)P-WR-XX  
 Color combinations:

Side 1 - White / Side 2 - Red

WR, WY, WB, WG, RY, RB, RG, YB, YG, BG

**Visit our web site: [www.xwalk.com](http://www.xwalk.com)**