



Traffic Safety Corporation
 2708 47th Ave.
 Sacramento, CA 95822-3806
 Toll Free: 888.446.9255
 Tel: 916.394.9884
 Fax: 916.394.2809
 Email: sales@xwalk.com
 Web: www.xwalk.com

TS-SR-T24 Tunnel Guidance LED Road Stud

General Description

Our TS-SR-T24 tunnel guidance road stud features a durable, low maintenance design with outstanding visibility during the day and at night.

Features

- Robust construction.
- Outstanding visibility during the day and at night.
- Connect multiple road studs in series circuit.
- Low maintenance, 100% waterproof.
- Easy replacement.
- Low power consumption.
- Up to .62 mile (1 km) visibility distance due to high intensity LEDs.
- Many LED color options available for a wide variety of applications.

Specifications

Modes of Operation:

- Always On (other modes of operation like flashing or sequential are available with external controller)

LED Configuration:

- Unidirectional or bidirectional
- Unidirectional or bidirectional with 2 parallel lines on top
- Unidirectional or bidirectional with arrow on top

Electrical:

Power Supply	24V DC	120V AC or 230V AC
Current Consumption	Unidirectional: 40 mA Bidirectional: 80 mA Light on Top: 40 mA	Unidirectional: 10 mA AC ¹ Bidirectional: 20 mA AC ¹ Light on Top: 10 mA AC ¹
Power Cable	Brown Wire (+) Blue Wire (-)	Brown Wire (Line) Blue Wire (Neutral) Yellow/Green (Earth)
Working Temperature	-13°F to +185°F (-25°C to +85°C)	

¹ 10mA AC must be added to total power consumption.

Optical:

- LED Number:
12 LEDs (unidirectional)
24 LEDs (bidirectional)
9 LEDs (arrow on top)
10 LEDs (parallel lines on top)
- LED Type: 5mm



- LED Colors: White, Red, Yellow, Green, Blue
- Viewing Angle: 30° or 45°

Mechanical:

- Material: Aluminium
- Weight: 1.2 lb. (.55 kg)
- Protection Index: IP68, IK10
- Dimensions: 3.46" (88mm) length x 3.94" (100mm) width x 1.26" (32mm) height

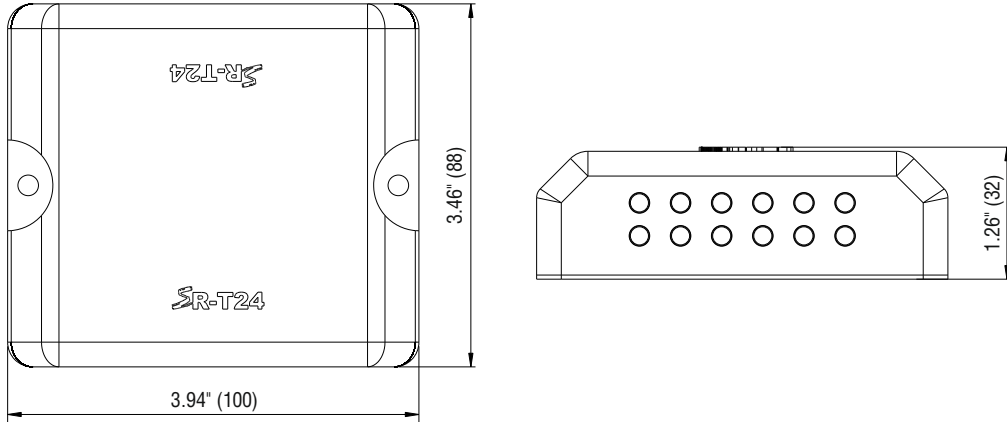
Visit our web site: www.xwalk.com



Traffic Safety Corporation
2708 47th Ave.
Sacramento, CA 95822-3806
Toll Free: 888.446.9255
Tel: 916.394.9884
Fax: 916.394.2809
Email: sales@xwalk.com
Web: www.xwalk.com

TS-SR-T24 Tunnel Guidance LED Road Stud

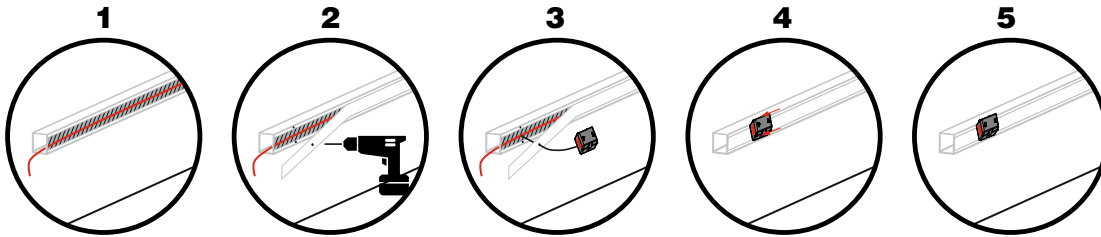
Dimensions (mm)



Installation Procedure



Personal protective equipment must be worn during installation process.



TS-SR-T24 rail installation example in trunking

- 1** Install the trunking in the wall and pass the power cable inside.
- 2** With a drill, make a hole to pass the cable and two holes for the fixing screws.
- 3** Pass the TS-SR-T24 cable to the hole and connect it to the power cable.
- 4** Hold in place the TS-SR-T24 with two screws M4 x 25 or M4 x 20.
- 5** Power the stud to check that everything is operational.

Changing or not completing the described installation process can result in suspension of warranty.

Visit our web site: www.xwalk.com



Traffic Safety Corporation
 2708 47th Ave.
 Sacramento, CA 95822-3806
 Toll Free: 888.446.9255
 Tel: 916.394.9884
 Fax: 916.394.2809
 Email: sales@xwalk.com
 Web: www.xwalk.com

TS-SR-T24 Tunnel Guidance LED Road Stud

Unidirectional 12 LEDS

Models

TS-SR-T24-U12W
 TS-SR-T24-U12R
 TS-SR-T24-U12Y
 TS-SR-T24-U12B
 TS-SR-T24-U12G

<i>Description</i>
Hardwired Stud / 1mt Cable Included / 12 LEDS / 24Vdc
"
"
"
"

<i>Color</i>
White
Red
Yellow
Blue
Green



Bidirectional 12+12 LEDS

Models

TS-SR-T24-B24WW
 TS-SR-T24-B24RR
 TS-SR-T24-B24YY
 TS-SR-T24-B24BB
 TS-SR-T24-B24GG

<i>Description</i>
Hardwired Stud / 1mt Cable Included / 24 LEDS / 24Vdc
"
"
"
"

<i>Color</i>
White / White
Red / Red
Yellow / Yellow
Blue / Blue
Green / Green



Bidirectional 12+12 LEDS with 1 Arrow on TOP

Models

TS-SR-T24-B24WW-AW
 TS-SR-T24-B24RR-AR
 TS-SR-T24-B24YY-AY
 TS-SR-T24-B24BB-AB
 TS-SR-T24-B24GG-AG

<i>Description</i>
Hardwired Stud / 1mt Cable Included / 24 LEDS / 1 Arrow on TOP / 24Vdc
"
"
"
"

<i>Color</i>
White / White
Red / Red
Yellow / Yellow
Blue / Blue
Green / Green



Bidirectional 12+12 LEDS with 2 Lines on TOP

Models

TS-SR-T24-B24WW-LW
 TS-SR-T24-B24RR-LR
 TS-SR-T24-B24YY-LY
 TS-SR-T24-B24BB-LB
 TS-SR-T24-B24GG-LG

<i>Description</i>
Hardwired Stud / 1mt Cable Included / 24 LEDS / 2 Lines on TOP / 24Vdc
"
"
"
"

<i>Color</i>
White / White
Red / Red
Yellow / Yellow
Blue / Blue
Green / Green

OBS.:

Cable standard (included): 0.75mm² wire section
 Standard mode: Always ON. For flashing or sequential mode, a microcontroller is required.

Power supply option:

TS-SR-T24-XXXX(X)-(XX)/230V 230V Version
 TS-SR-T24-XXXX(X)-(XX)/12V 12V Version

Protection index:

TS-SR-T24-XXXX(X)-(XX)/L Lenses Version (IP68 / IK10)

Ref. Example (Color):

TS-SR-T24-XXXWR Side 1 - White / Side 2 - Red

Color combinations:

WR, WY, WB, WG, RY, RB, RG, YB, YG, BG

Visit our web site: www.xwalk.com