

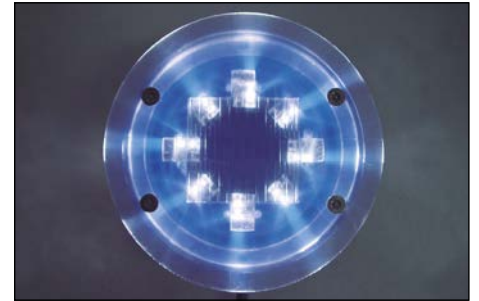


Traffic Safety Corporation  
2708 47th Ave.  
Sacramento, CA 95822-3806  
Toll Free: 888.446.9255  
Tel: 916.394.9884  
Fax: 916.394.2809  
Email: sales@xwalk.com  
Web: www.xwalk.com

## TS-SR-35C 360° Hardwired LED Road Stud

### Features

- Well-suited for road areas with cycling infrastructures and pedestrian zones.
- Bicycle friendly, only .67" (17mm) above road surface.
- High brightness during day and night.
- Low maintenance, 100% waterproof.
- 360° lighting.
- Connect multiple road studs in series circuit.
- Wired system that can be powered by electric or solar energy.
- Low power consumption.
- Internal prismatic system.
- Many LED color options available for a wide variety of applications.



### Specifications

#### Modes of Operation:

- Always On (other modes of operation like flashing or sequential are available with external controller)

#### LED Configuration:

- Multidirectional

#### Electrical:

- Power Supply: 12V DC or 24V DC
- Maximum Current Consumption: 160 mA (depends on LED configuration)
- Power Cable: Brown Wire (+), Blue Wire (-)
- Working Temperature: -13°F to +185°F (-25°C to +85°C)

#### Optical:

- LED Quantity: 16 LEDs
- LED Type: 5mm
- LED Colors: White, Red, Yellow, Green, Blue
- Viewing Angle: 15°

#### Mechanical:

- Material: Aluminum and Polycarbonate
- Mechanical Resistance: 18 tons
- Weight: 2.2 lb. (1 kg)
- Protection Index: IP68, IK10
- Dimensions: 5.71" (145mm) diameter x 3.5" (89mm) height

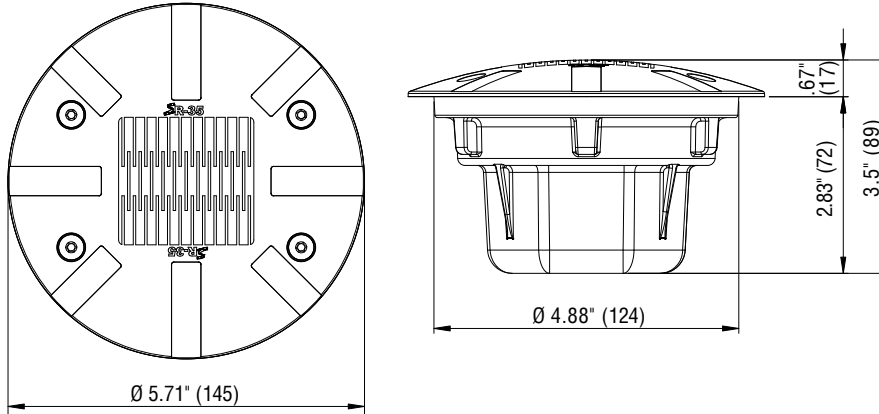
Visit our web site: [www.xwalk.com](http://www.xwalk.com)



Traffic Safety Corporation  
2708 47th Ave.  
Sacramento, CA 95822-3806  
Toll Free: 888.446.9255  
Tel: 916.394.9884  
Fax: 916.394.2809  
Email: sales@xwalk.com  
Web: www.xwalk.com

## TS-SR-35C 360° Hardwired LED Road Stud

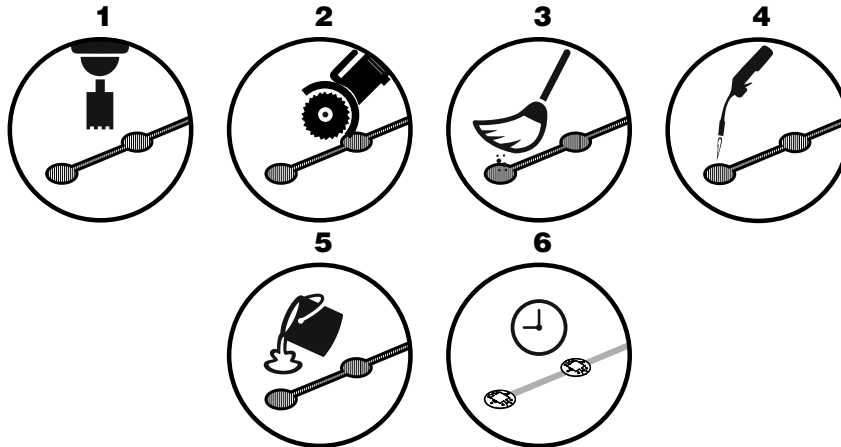
### Dimensions (mm)



### Installation Procedure



Personal protective equipment must be worn during installation process.



- 1 After deciding the location where the stud will be installed, drill a hole having a minimum diameter of 5.12" (130mm) and 3.15" (80mm) deep.
- 2 Using a disk cutter, open a connection between the holes with .6" (15mm) width and 2.36" (60mm) depth.
- 3 Brush any debris or dust from the hole resulting from drilling.
- 4 Dry the hole with a blowtorch to remove any moisture that may compromise the adhesion and effectiveness of the grout.
- 5 Pour  $\pm 4.4$  lb. ( $\pm 2$  kg) of ULTRAFLOW 4000/8 grout in the hole and insert the stud checking that the LEDs are facing the correct direction. Remove any excess grout.
- 6 The grout drying time may change depending on weather conditions. Consult the grout data sheet for more information.

**Changing or not completing the described installation process can result in suspension of warranty.**

**Visit our web site: [www.xwalk.com](http://www.xwalk.com)**



Traffic Safety Corporation  
 2708 47th Ave.  
 Sacramento, CA 95822-3806  
 Toll Free: 888.446.9255  
 Tel: 916.394.9884  
 Fax: 916.394.2809  
 Email: sales@xwalk.com  
 Web: www.xwalk.com

**TS-SR-35C**  
**360° Hardwired**  
**LED Road Stud**

**TS-SR-35C**



**8 LEDs**

**Models**

- TS-SR-35C-8W-1G
- TS-SR-35C-8R-1G
- TS-SR-35C-8Y-1G
- TS-SR-35C-8B-1G
- TS-SR-35C-8G-1G

<i>Description</i>
Hardwired Stud / 3mt Cable Included / 8 LED / 1 Cable Gland
"
"
"
"

<i>Color</i>
White
Red
Yellow
Blue
Green

**16 LEDs**

**Models**

- TS-SR-35C-16W-1G
- TS-SR-35C-16R-1G
- TS-SR-35C-16Y-1G
- TS-SR-35C-16B-1G
- TS-SR-35C-16G-1G

<i>Description</i>
Hardwired Stud / 3mt Cable Included / 16 LED / 1 Cable Gland
"
"
"
"

<i>Color</i>
White
Red
Yellow
Blue
Green

**OBS.:**

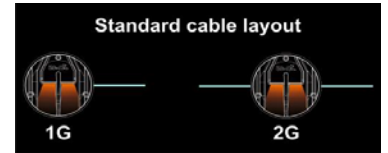
Cable standard (included): 0.75mm<sup>2</sup> wire section  
**Different cable layouts and length should be requested upon order!**  
 Standard mode: Always ON. For flashing or sequential mode, a microcontroller is required.

**Cable Gland:**

TS-SR-35C-XXX-2G 2 Cable Glands

**Color combinations:**

by request



**Visit our web site: [www.xwalk.com](http://www.xwalk.com)**