

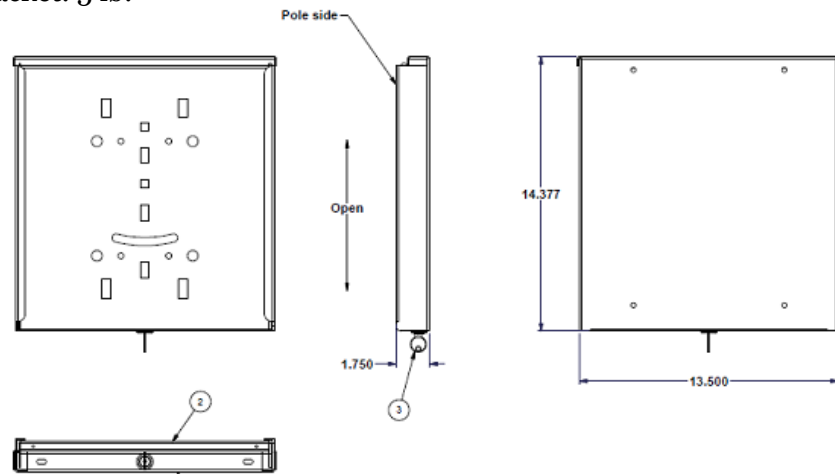


Traffic Safety Corporation  
2708 47<sup>th</sup> Ave.  
Sacramento, CA 95822  
Phone (916) 394-9884  
Fax (916) 394-2809  
sales@xwalk.com  
www.xwalk.com

## Universal Mounting Bracket System Specifications

### Specifications:

- Universal mounting options: circular, square and Telstar poles
- Theft resistant
- Promotes sign portability: sign locks into mounting bracket with a turn of a key
- Sign Bracket: 2 lb.
- Pole Bracket: 5 lb.



Inside View of Pole Bracket

